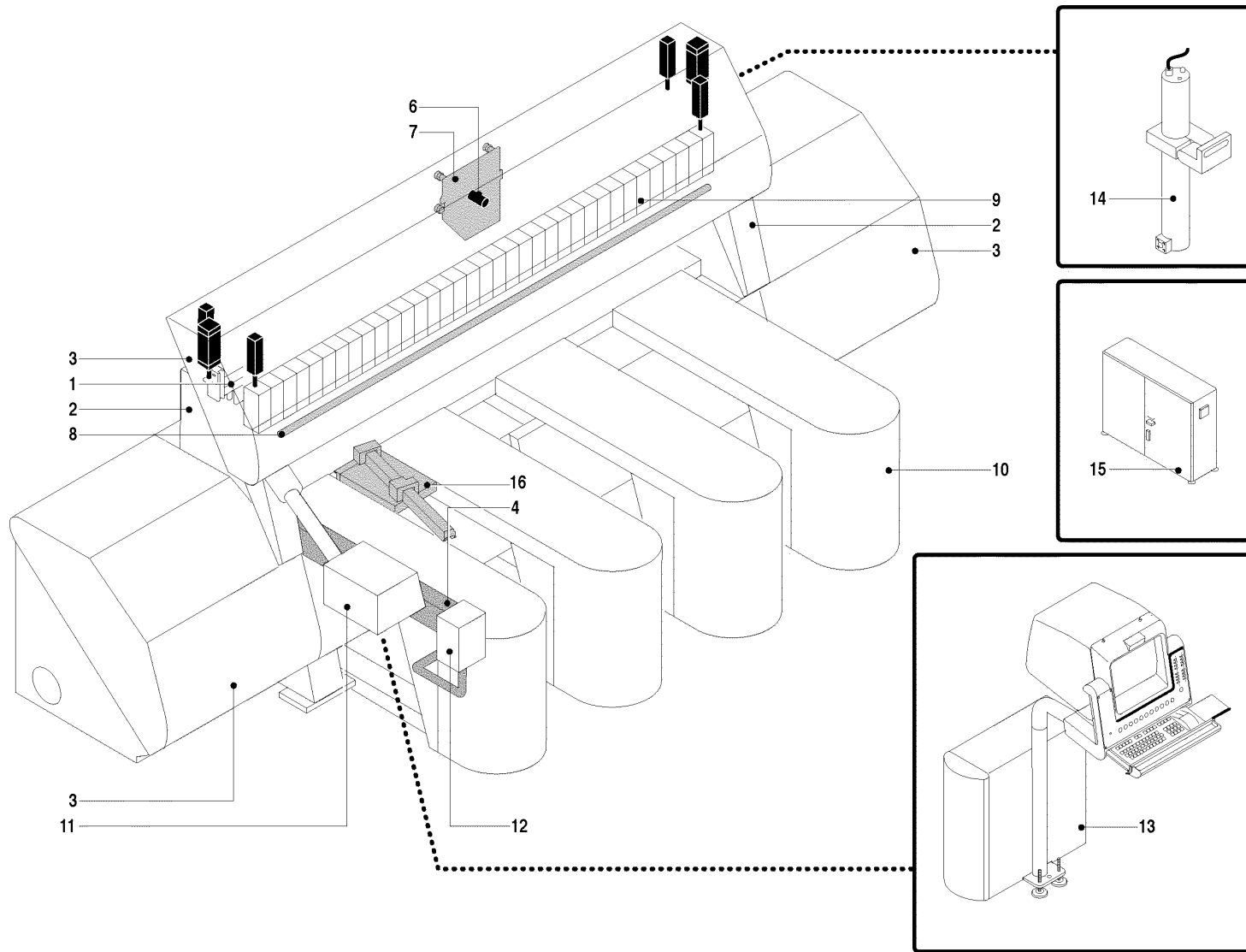
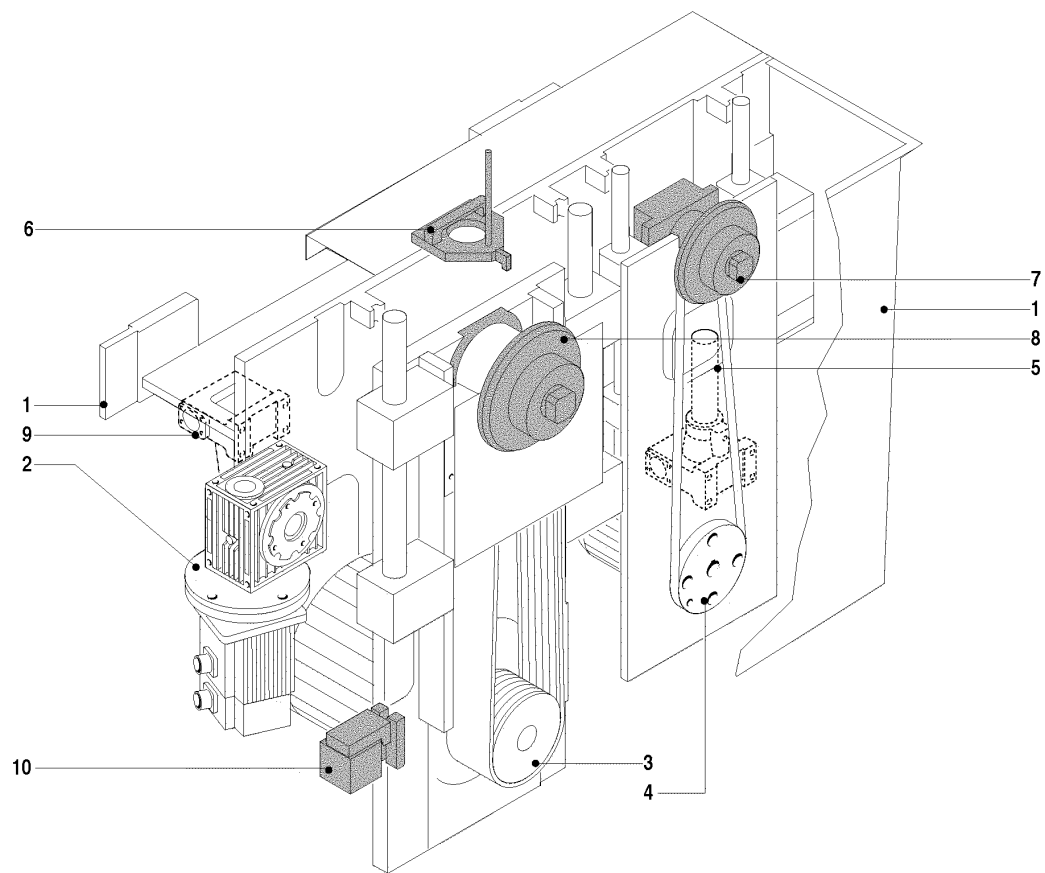


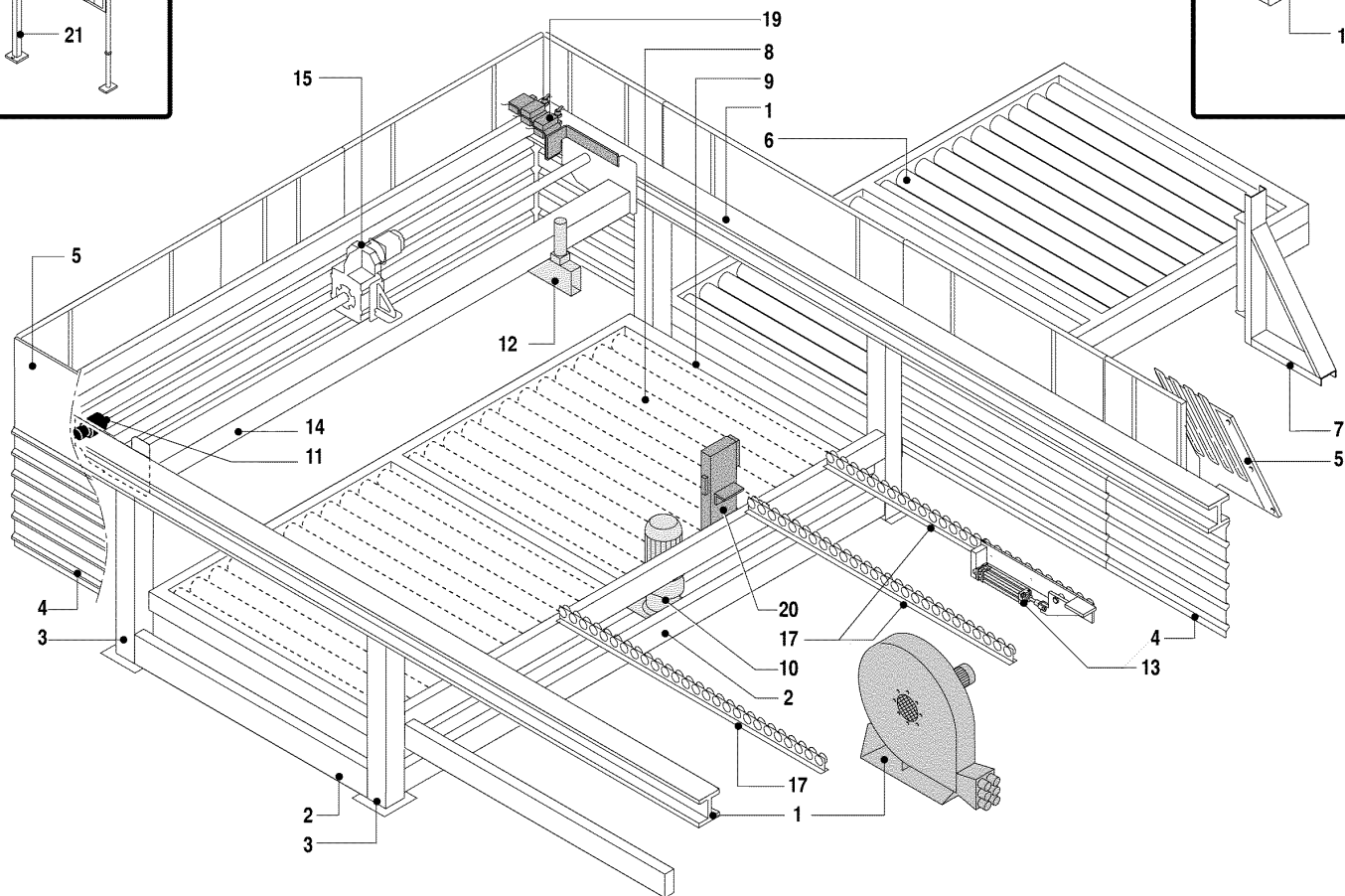
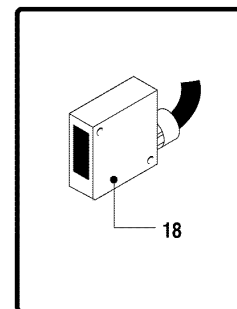
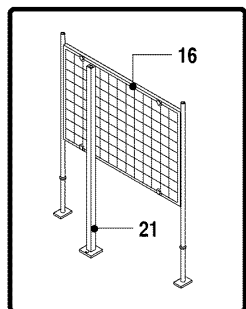
- 1 03027L01
- 2 03026L01
- 3 03025L01



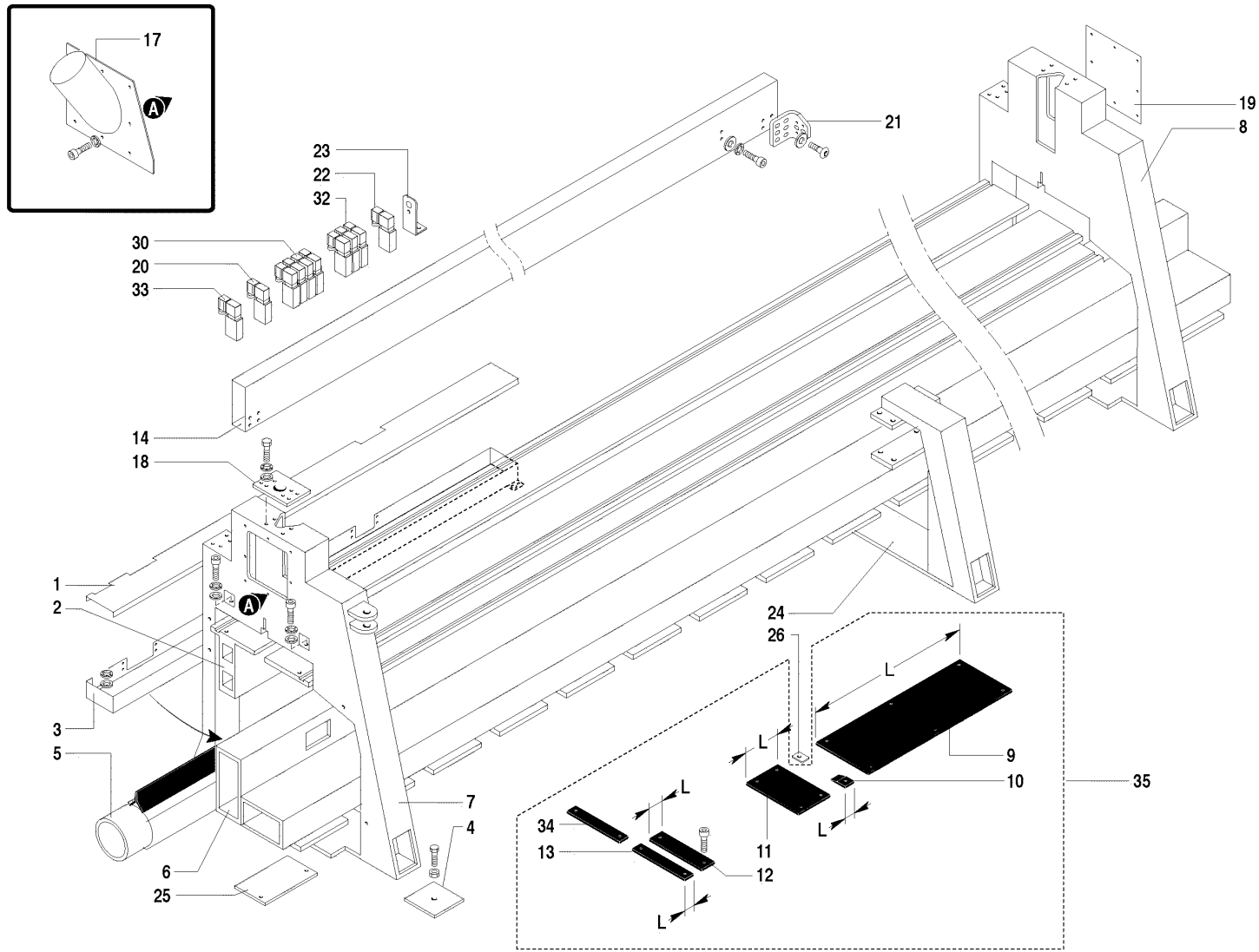
- 1 F0036L05
- 2 A0026L05
- 3 A0028L05
- 4 E0010L04
- 6 F0038L04
- 7 F0037L02
- 8 H0004L04
- 9 H0005L04 - ANT
- 9 H0006L03 - POST
- 10 E0009L05
- 11 M0004L05
- 12 M0005L02
- 13 M0024L01
- 14 P0001L01
- 15 M0050L00
- 16 E0041L00



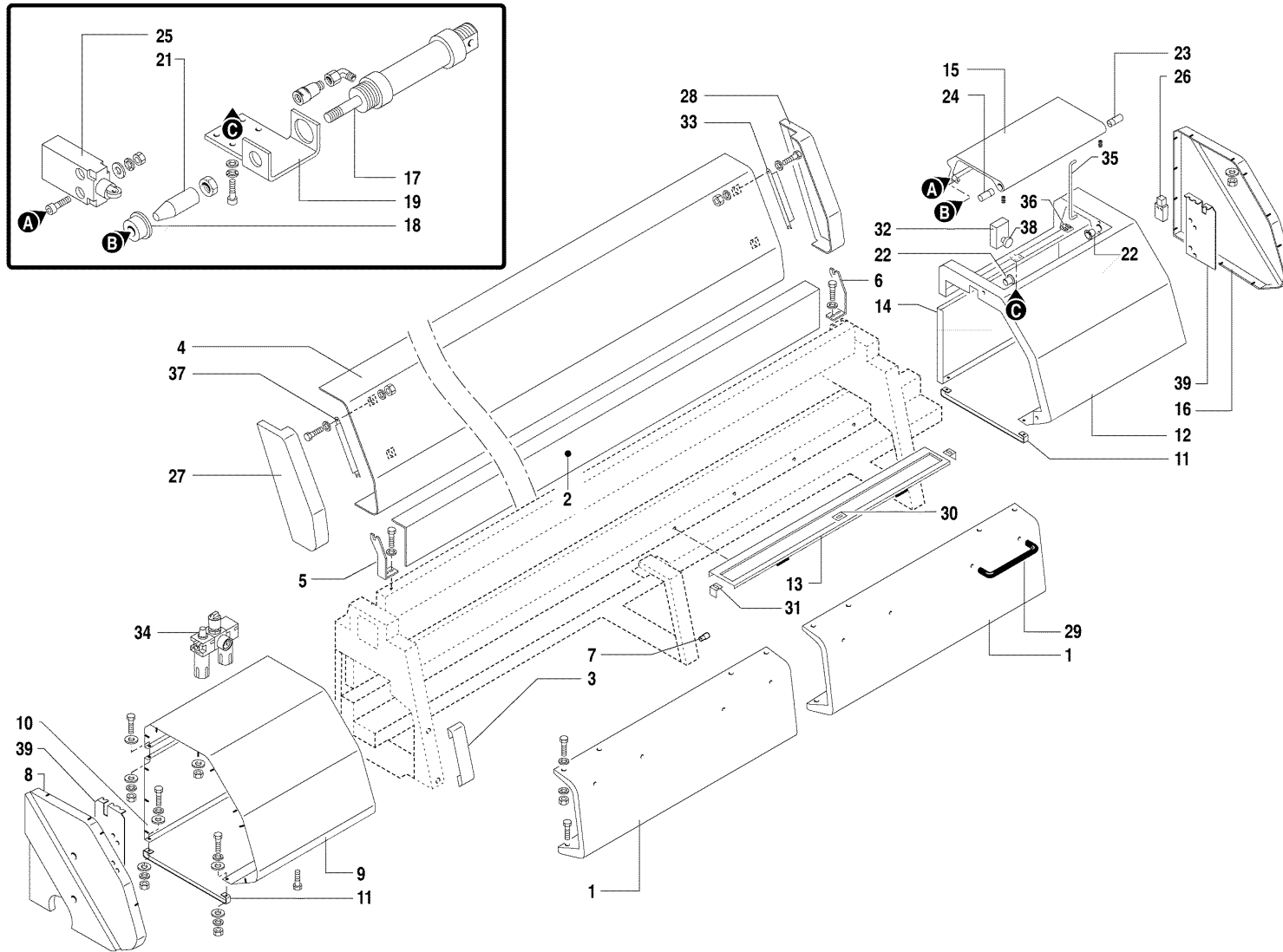
- 1 B0009L06
- 2 B0010L05
- 3 B0012L06
- 4 B0011L05
- 5 B0026L00
- 6 C0008L03
- 7 C0024L02
- 7 C0014L02 - AUT
- 7 C0005L05 - *MA
- 8 C0006L02 - *MA
- 9 B0013L05
- 10 C0007L03



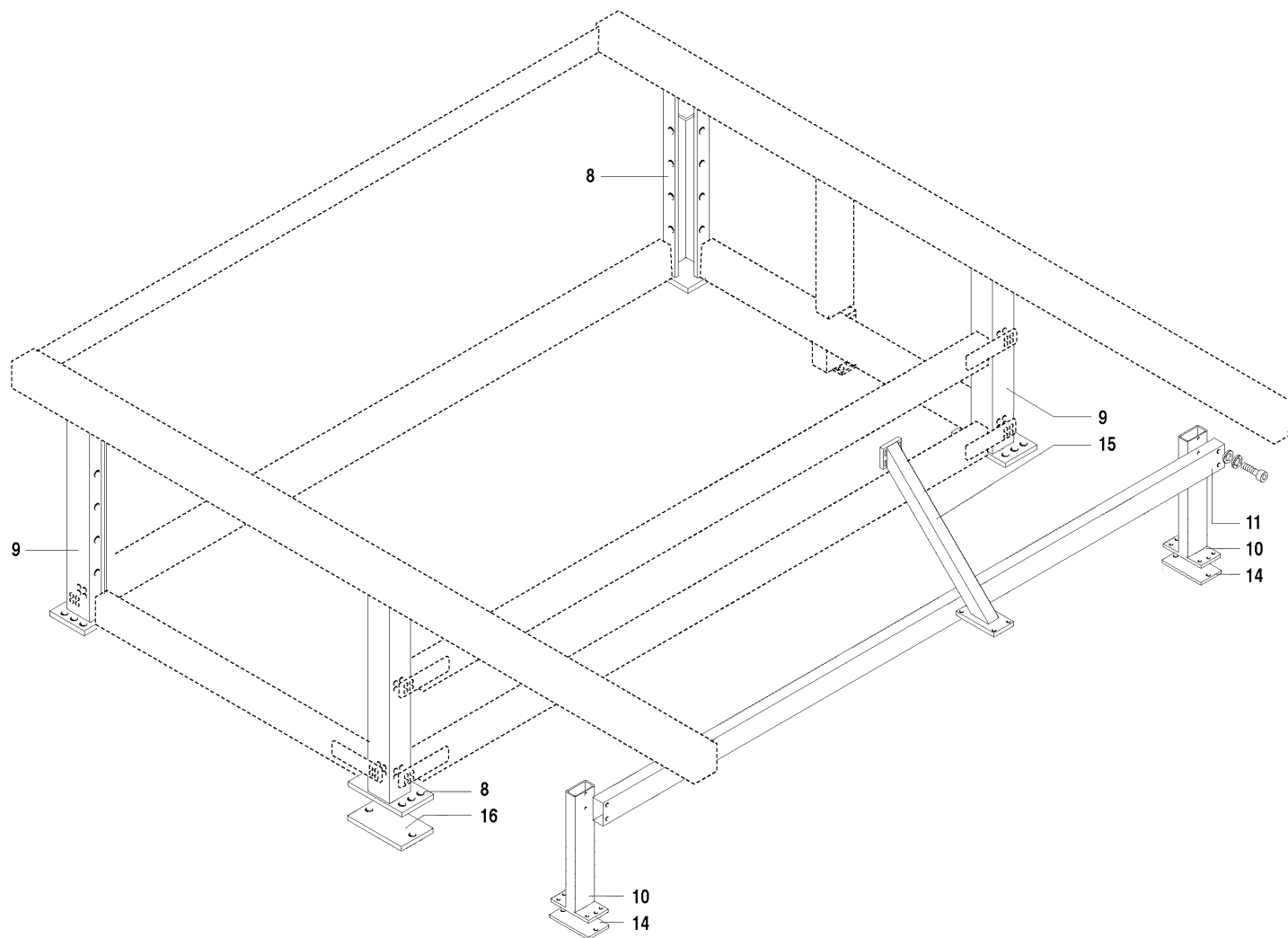
- 1 A0075L01
- 2 A0042L03
- 3 A0041L03
- 4 A0043L02
- 5 A0044L02
- 6 D0013L04 - LAT
- 6 D0014L04 - POST
- 7 D0036L02
- 8 D0042L03
- 8 D0041L03
- 9 D0043L03
- 10 D0004L04
- 11 M0025L00
- 12 F0043L02
- 13 F0044L03
- 14 F0039L06
- 15 F0047L01
- 16 H0024L00
- 17 D0040L01
- 18 M0007L02
- 19 F0147L00
- 20 H0016L00
- 21 H0014L02



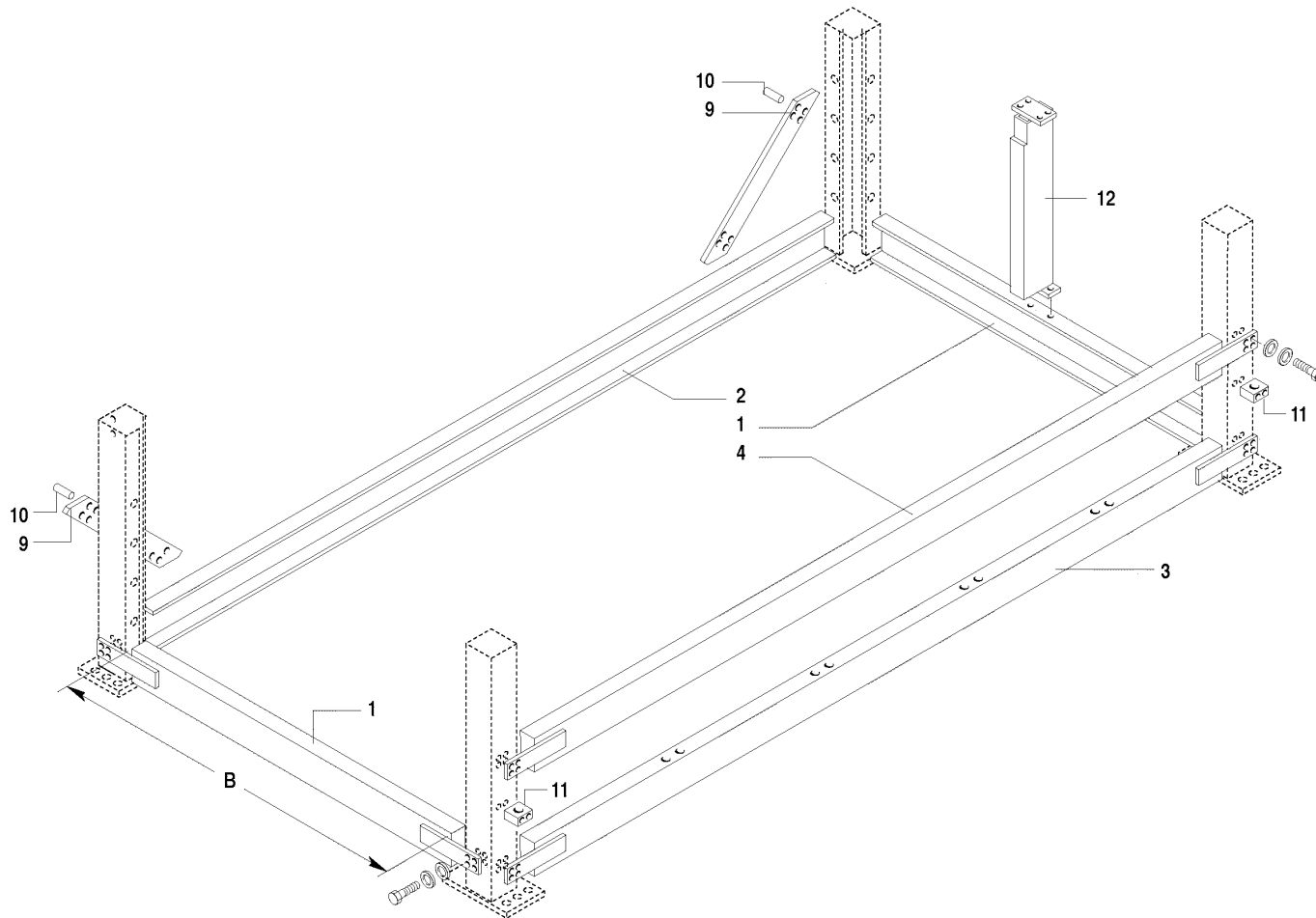
1	L1208L0354V - *DIM5656
1	L9130858901V - *DIM3231
1	L9130871601V - *DIM4443
2	L1303L0073 - *DIM5656
2	L9130301802 - *DIM4443
2	L9130303301 - *DIM3231
3	L9130871502V - *DIM4443
3	L9130858802V - *DIM3231
3	L1208L0353V - *DIM5656
4	L9081417400
5	L9130859002V - *DIM3231
5	L1608L0009V - *DIM5656
5	L9130826501V
6	L1303L0072 - *DIM5656
6	L1303L0033 - 4443
6	L1303L0032 - *DIM3231
7	L1303L0117
7	L9130302303
8	L9130301607
9	L9151400700 - L=765
9	L9151400200 - L=580
10	L1514L0014
11	L9151400600 - L=170
11	L1514L0011
12	L9151400500 - L=70
13	L1414L0012
14	L1310L0189V - *DIM5622
14	L1310L0004V - *DIM4400
14	L1310L0003V - *DIM3200
17	L9130897602V
18	L9081419601
19	L9130815600V
20	2304A0065
21	L1305L0034V
22	6362A0064
23	2440A0033
24	L9130585201
25	L9081417300
26	L9091401700
27	L9151400200 - L=580
30	6362A0058
32	6362A0059
33	6362A0060
34	L1414L0013
35	L1614L0004 - L=5600
35	L1614L0003 - L=4400
35	L1614L0002 - L=3200



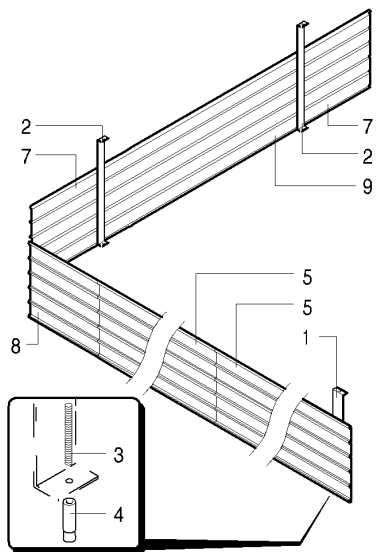
1	L1208L0355V - *DIM5656
1	L9130858703V - *DIM3231
1	L9130836003V - *DIM4443
2	L9120808000V - *DIM4443
2	L1208L0375V - *DIM5656
2	L9120807100V - *DIM3231
3	L9130836101V
4	L1208L0298V - *DIM4443
4	L1208L0374V - *DIM5656
4	L1208L0297V - *DIM3231
4	L1208L0377V - *DIM5656
5	L1214L0074
6	L1214L0073
7	L9082010902
8	L9140800801V
9	L9130837102V
10	L9130837603V
11	L9130836202V
12	L1208L0368V
13	L9130835901V - *DIM4443
13	L9130858603V - *DIM3231
13	L1208L0351V - *DIM5656
14	L1208L0369V
15	L9130829403V
16	L9140800701V
17	2420A0309
18	2910A0081
19	L9130515203
21	L9082022701
22	2910A0084
23	L9082008200
24	L9082016800
25	2104A0080
26	2104A0091
27	L1408L0008
28	L1408L0023 - LASER
28	L1408L0009
29	2711A0112
30	L9121401000V
31	L9120501902V
32	2118A0144
33	L1205L0155
34	L9242305600 - CE
34	L9242305500 - STD
35	L9082411901
36	L9121401100V
37	L1205L0161
38	2118A0101
39	L1208L0438



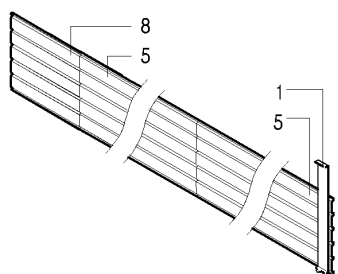
- 8 L9131504900V
- 9 L9131504800V
- 10 L9130549800V
- 11 L1210L0063V - *DIM5656
- 14 L9081422800
- 15 L9130573800V
- 16 L9081423000



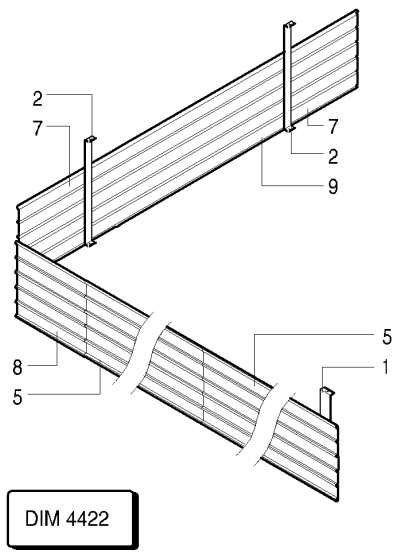
- 1 L9081040602V - L=2690
- 1 L9081040502V - L=2230
- 2 L9081013000V - L=4620
- 2 L1210L0064V - L=5720
- 2 L0810L0009V - *DIM3222
- 3 L9081090302V - L=6050
- 3 L9081090101V - L=4850
- 3 L0810L0011V - *DIM3222
- 4 L9081041102V - L=5982
- 4 L9081040200V - L=4782
- 4 L0810L0010V - *DIM3222
- 9 L9080551200V
- 10 3023A0071
- 11 L9081422200
- 12 L9131010800V



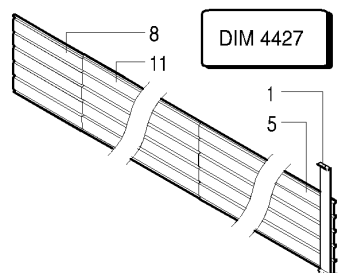
DIM 3222



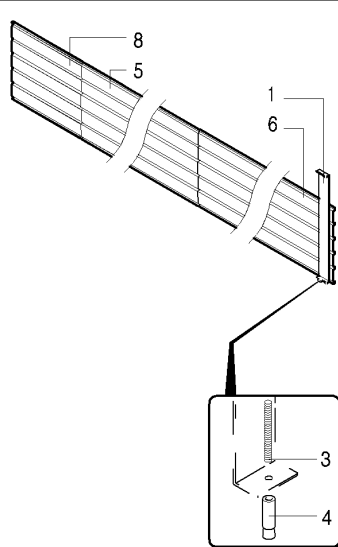
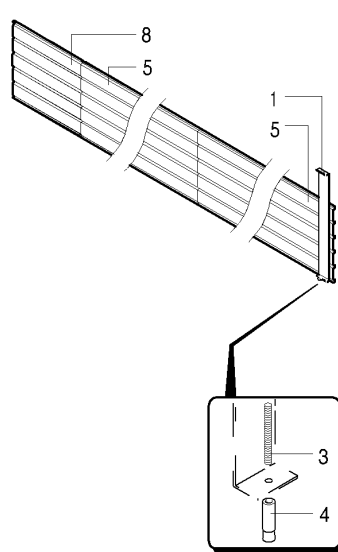
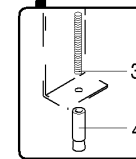
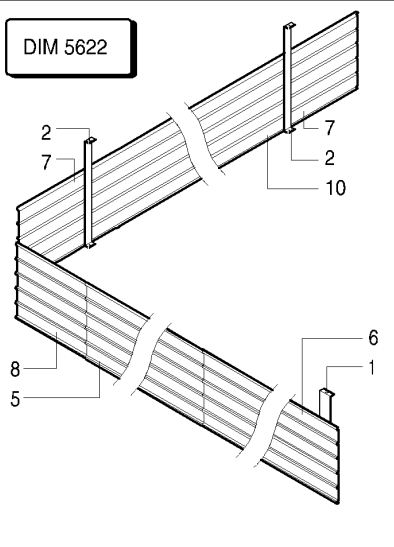
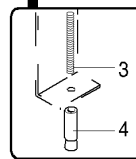
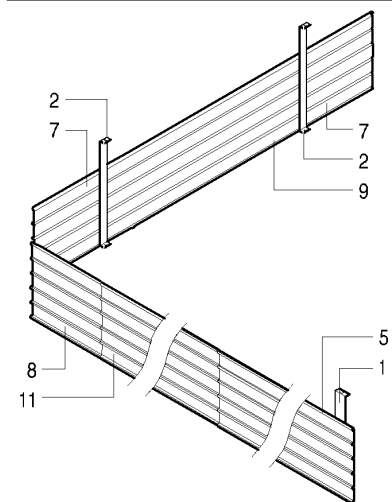
DIM 4422



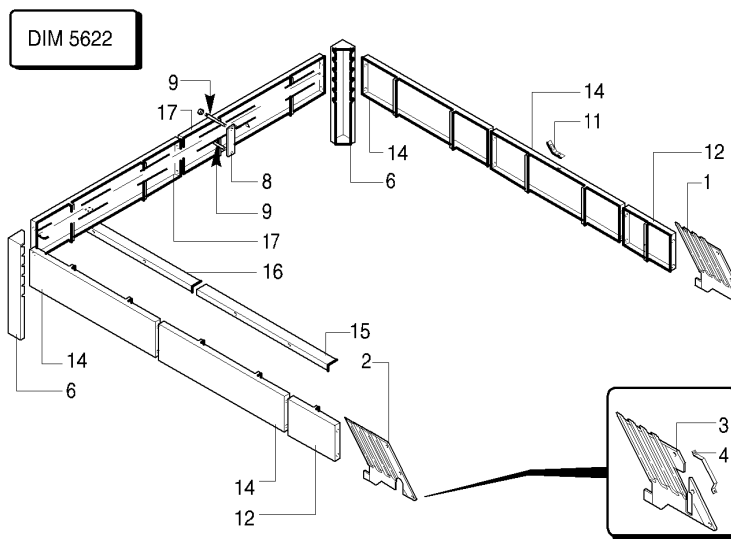
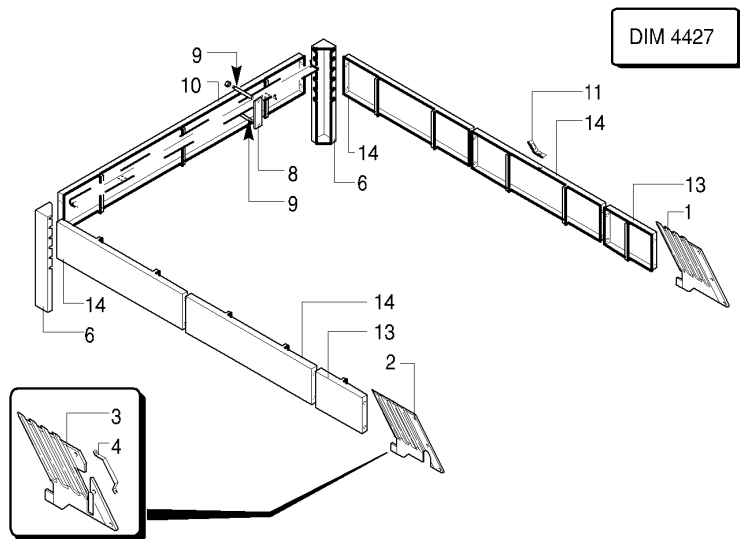
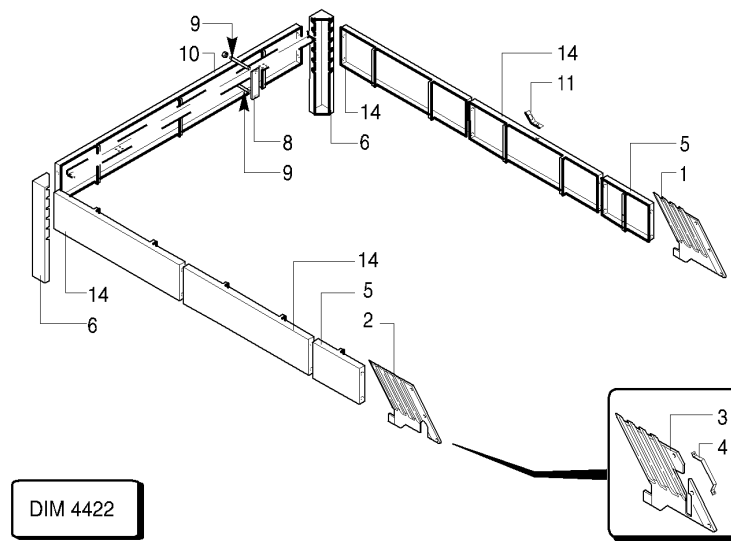
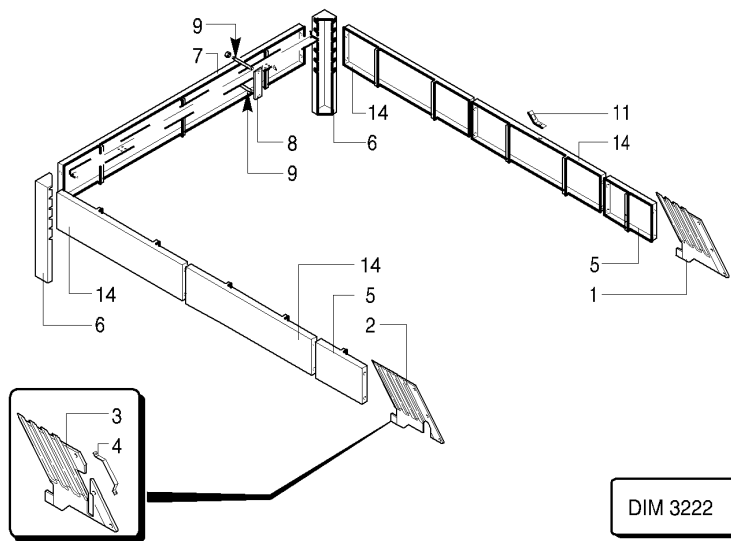
DIM 4427



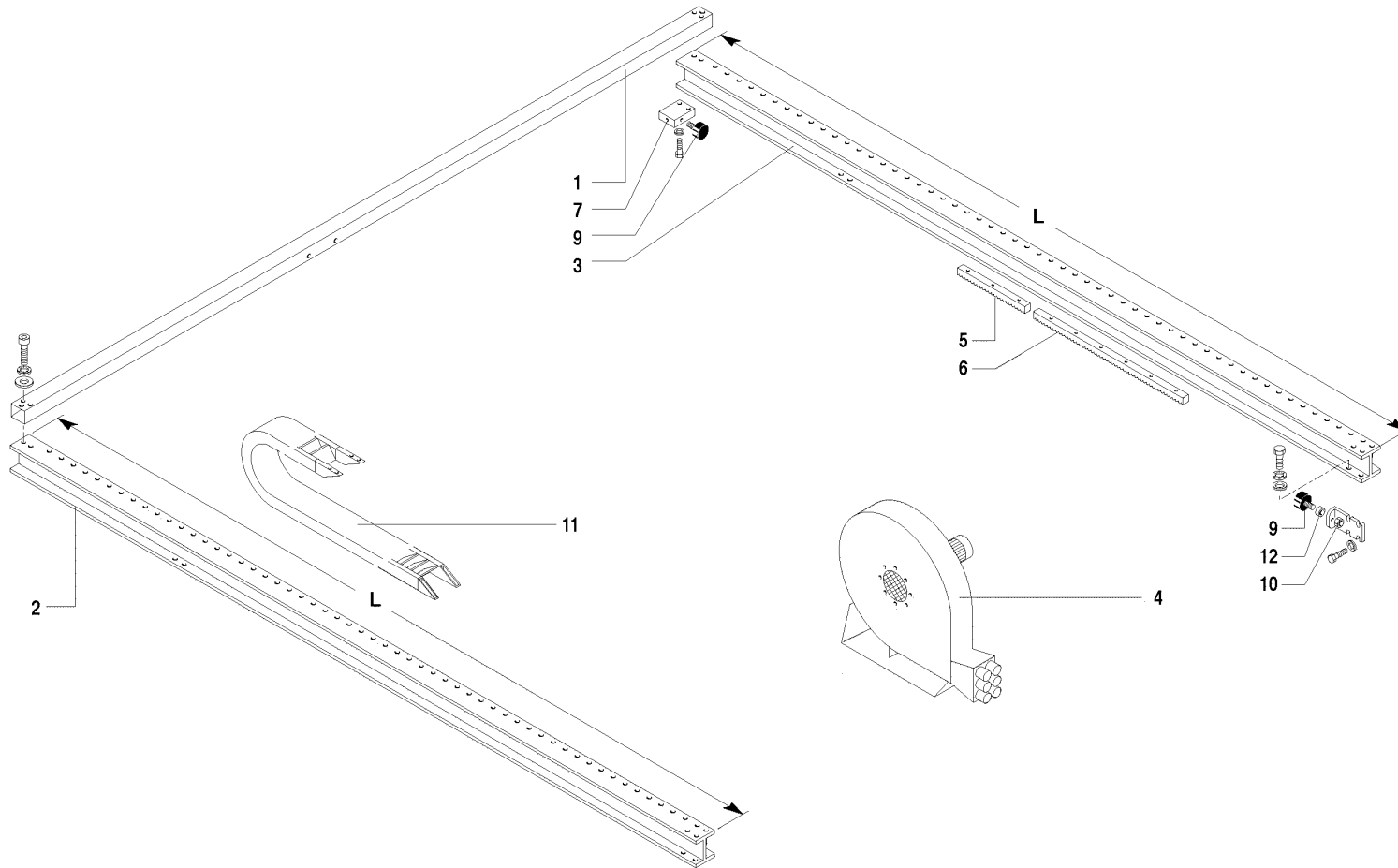
DIM 5622



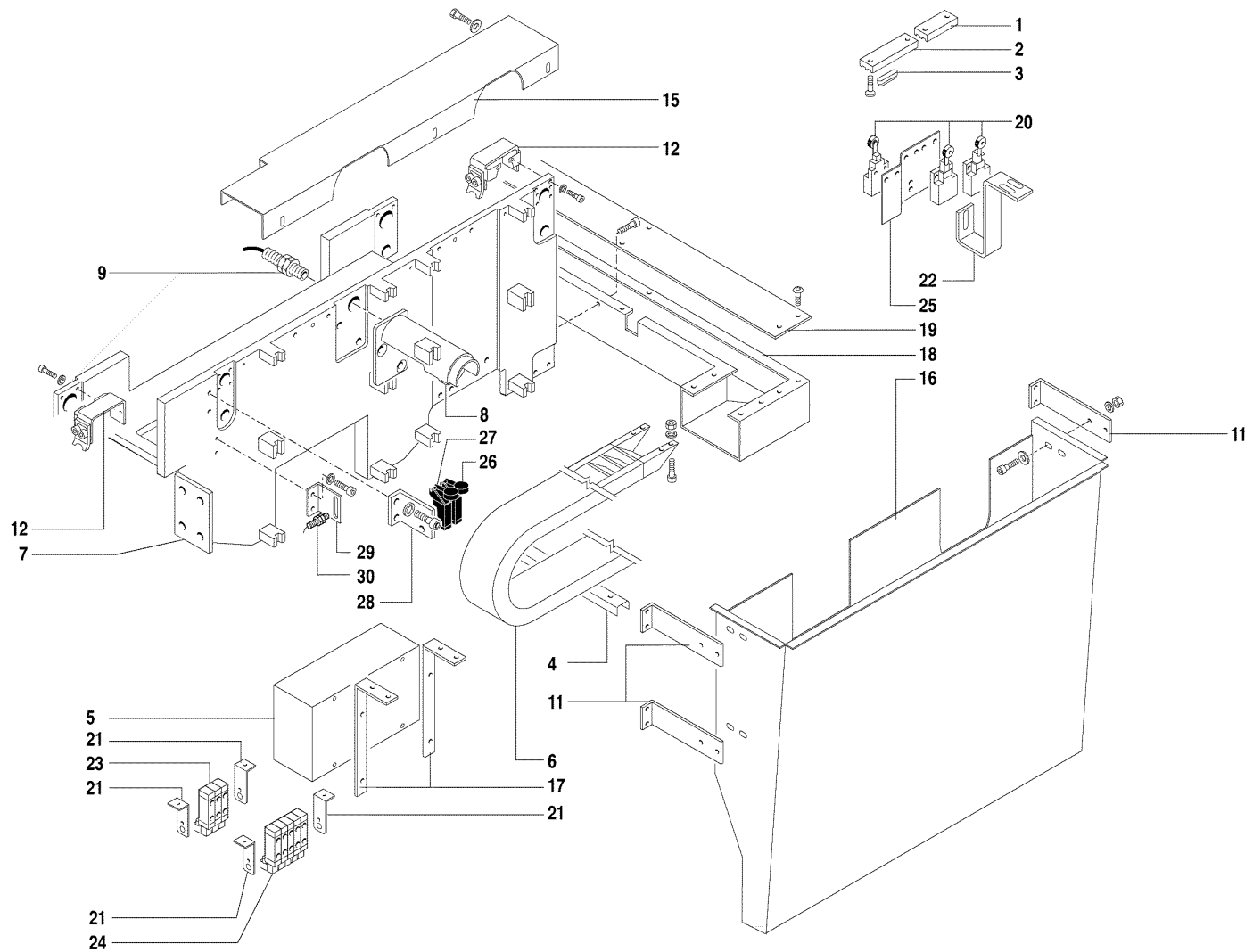
- 1 L9130554100V
- 2 L9130554000V
- 3 L0815L0001
- 4 L9300401800
- 5 L9130865600
- 6 L1208L0050
- 7 L9130864600
- 8 L9130865700
- 9 L9130849700
- 10 L0908L0013
- 11 L9130865800



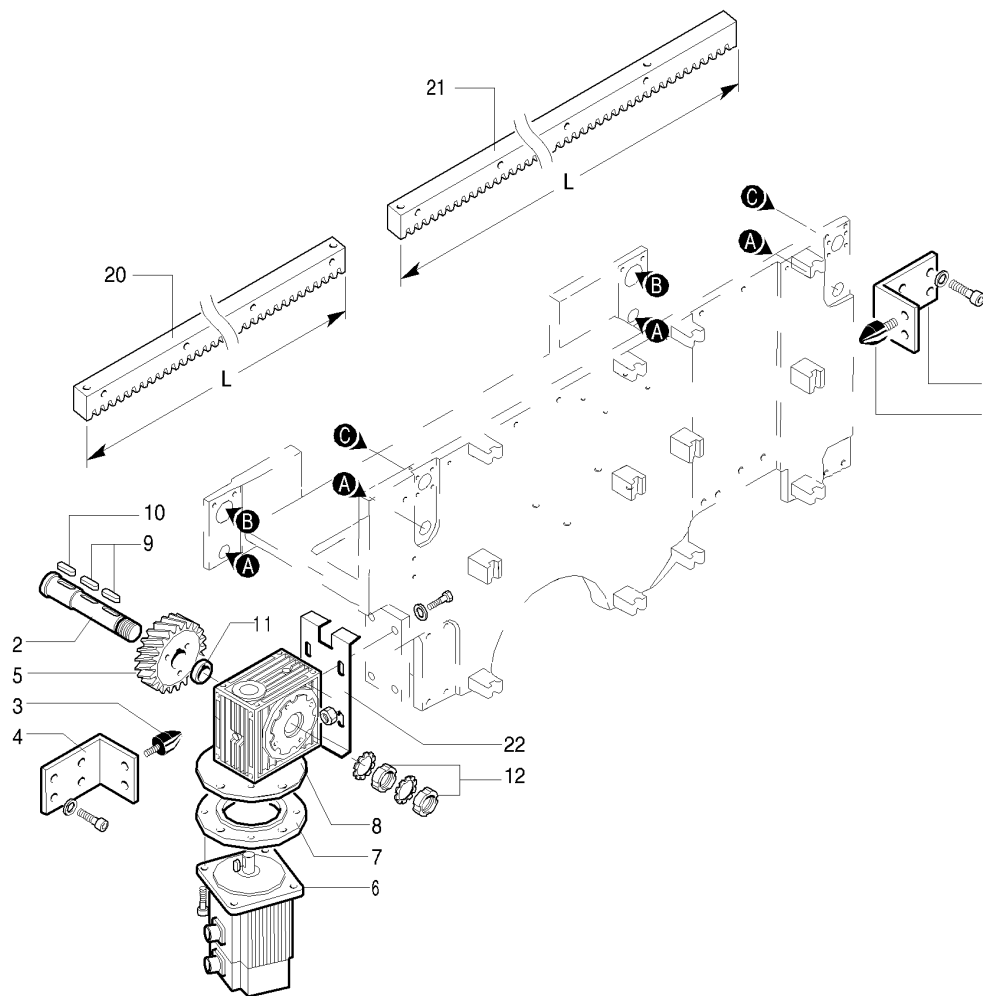
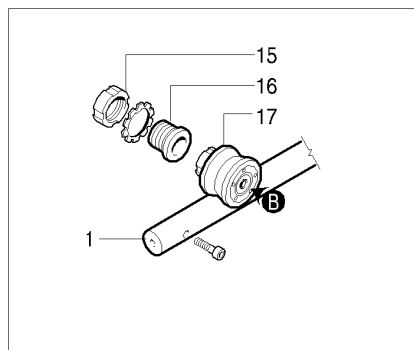
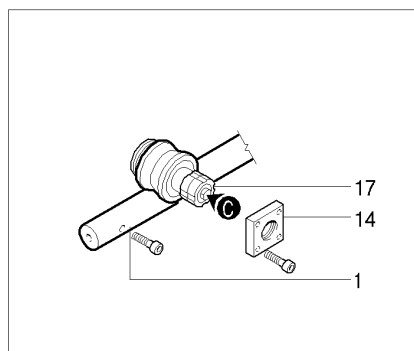
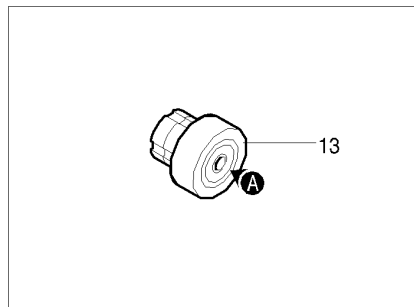
- 1 L1408L0016
- 2 L1408L0017
- 3 L1408L0022
- 4 L1214L0097
- 5 L9130862200V
- 6 L9130864500V
- 7 L9130858200V
- 8 L9081425001
- 9 L0804L0002
- 10 L9130831000V
- 11 L1214L0081
- 12 L1208L0049V
- 13 L9130872700V
- 14 L9130830900V
- 15 L1208L0341V
- 16 L1208L0346V
- 17 L1208L0376V



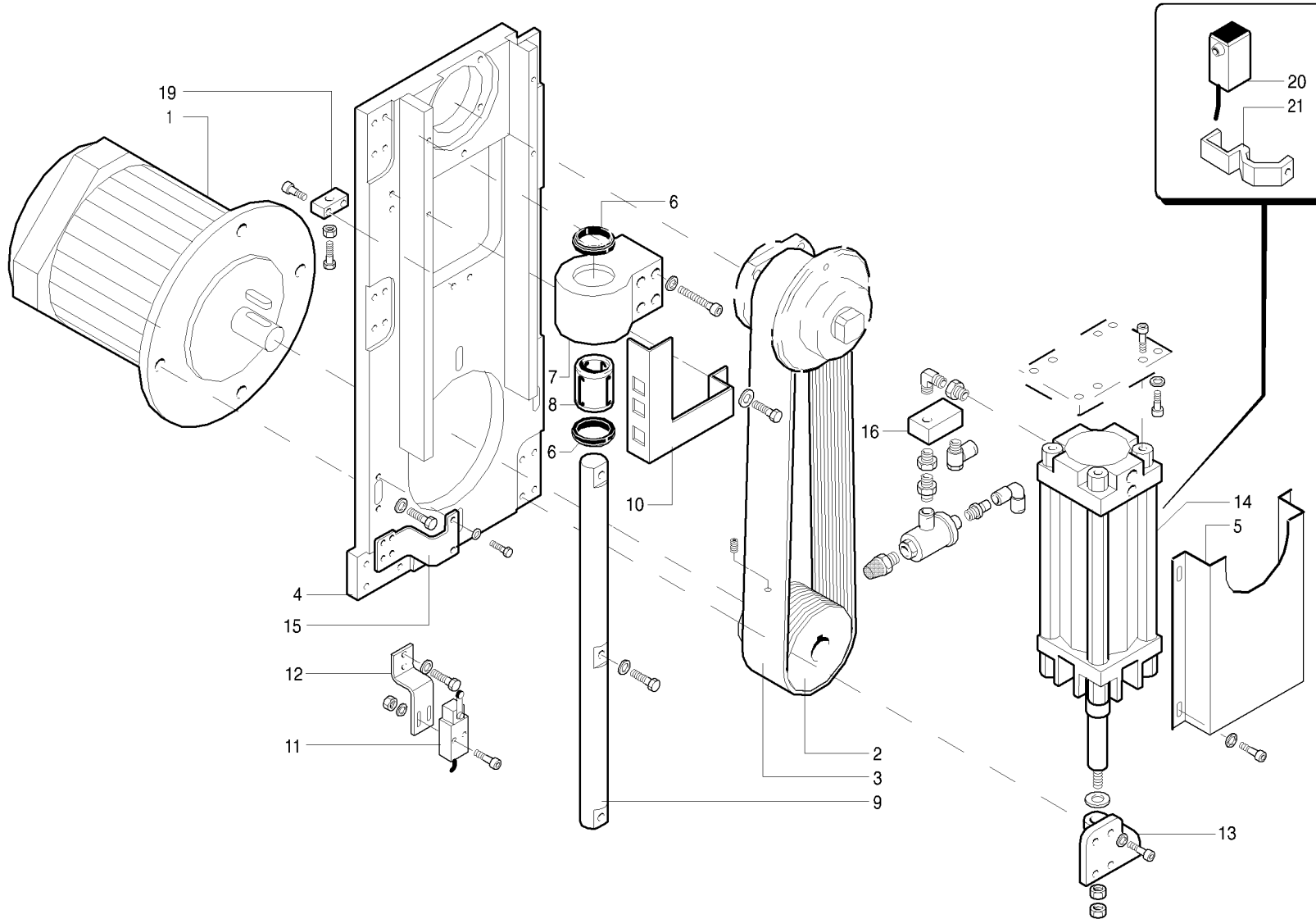
1	L1210L0062V - *DIM5600
1	L1305L0033V - *DIM3231
1	L1305L0035V - *DIM4443
2	L1310L0188V - L=7150
2	L1310L0112V - L=5262
2	L1310L0148V - L=4029
2	L1310L0185V - L=6150
2	L1310L0191V - L=6610
2	L9081009300V - L=6610
3	L1310L0154V - L=6610
3	L1310L0155V - L=6150
3	L1310L0190V - L=6610
3	L9081004700V - L=4029
3	L1310L0187V - L=7150
3	L9081004800V - L=5262
4	L9220105610 - 50HZ
4	L9220112200 - 60HZ 200V
4	L9220106010 - 60HZ 575V
4	L9220105910 - 60HZ 220V
4	L9220113300 - 50HZ 200V
5	L9081800103
5	L9081802300 - L=56
5	L9081800601 - L=250
5	L0818L0001 - L=500
5	L0818L0018 - L=248
6	L9081838703 - L=1000
6	L9081802101 - L=1000
7	L0814L0033
9	201800400 - 781083 ANGST.
10	L1214L0047
11	L9200402100 - *DIM4427-565.
11	2004A0090 - *DIM3222-442..
11	2004A0123 - *DIM3231
11	2004A0116 - *DIM4443
11	L2004L0004 - *DIM5622
12	L9130695300



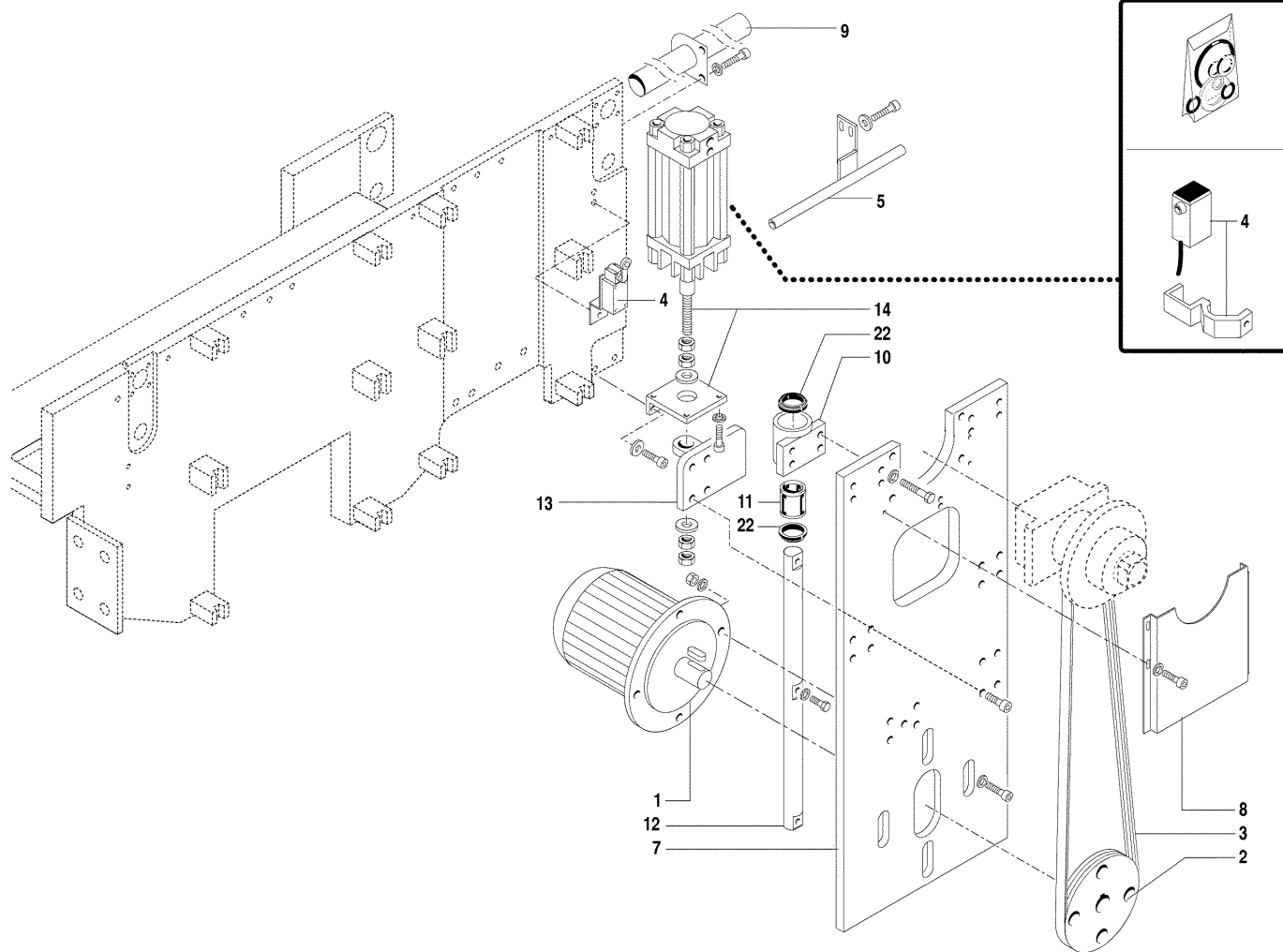
1	L9091102600
2	L9091103900
3	161402701 - L=105mm
3	161402601 - L=40mm
4	L9120500401
5	L9161209200
6	L9201601100 - *DIM5656
6	L9201600400 - *DIM4443
6	L9201604500 - *DIM3231
7	L1311L0016V
8	L9080514100
9	2164A0143
11	L9120503900V
12	B0055L00
15	L9120801902V
16	L1208L0234V
17	L9130537300V
18	L9130873011V
19	L9130813401V
20	2104A0078
21	2440A0033
22	L9120506600
23	6362A0059
24	6362A0060
25	L9120506500
26	2413A0023
27	2413A0031
28	L9130513600V
29	L1205L0038
30	2164A0105



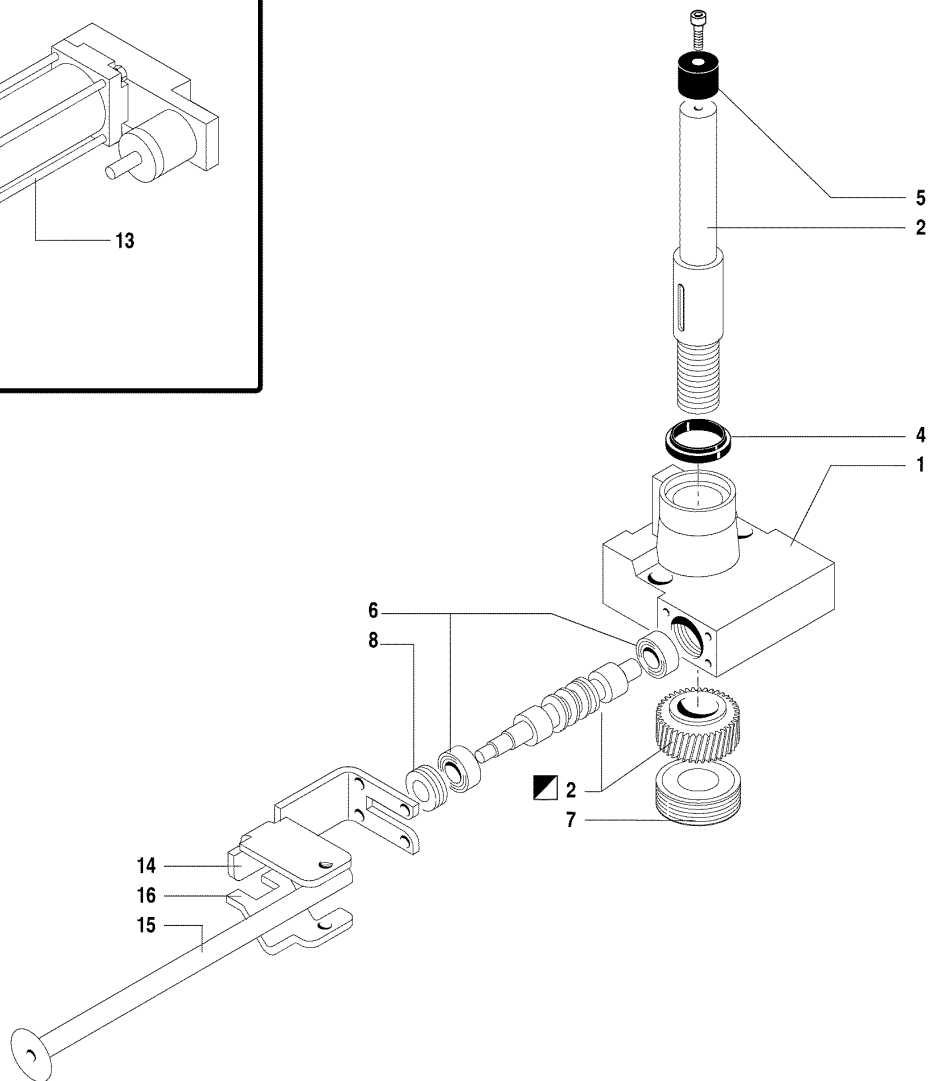
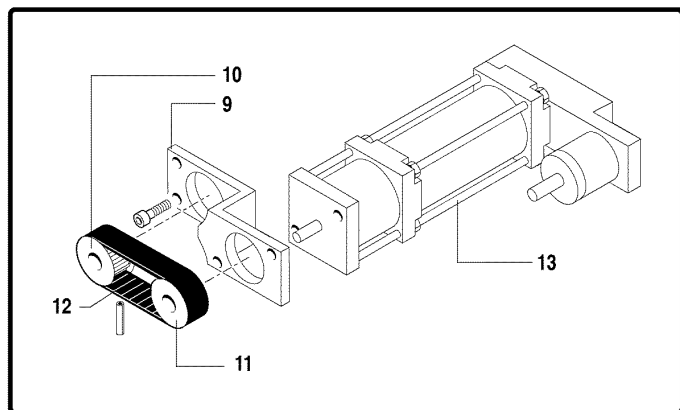
- 1 L9081100100 - L=6950
- 1 L9081125200 - L=8150
- 1 L9081100400 - *DIM3231
- 2 L0807L0039
- 3 L9140601200
- 4 L9130542801V
- 5 L9272205501
- 6 2201A0012 - SGMG-09V2A Y.
- 7 L0901L0005
- 8 2001A0112
- 9 302521100
- 10 302520600 - 8X7X30
- 11 L0806L0041
- 12 3017A0027
- 13 B0053L00
- 14 L9081411600
- 15 3017A0030
- 16 L9081722200
- 17 B0054L00
- 20 L9081838500 - L=885
- 21 L9081838600 - L=1325
- 22 L1214L0049



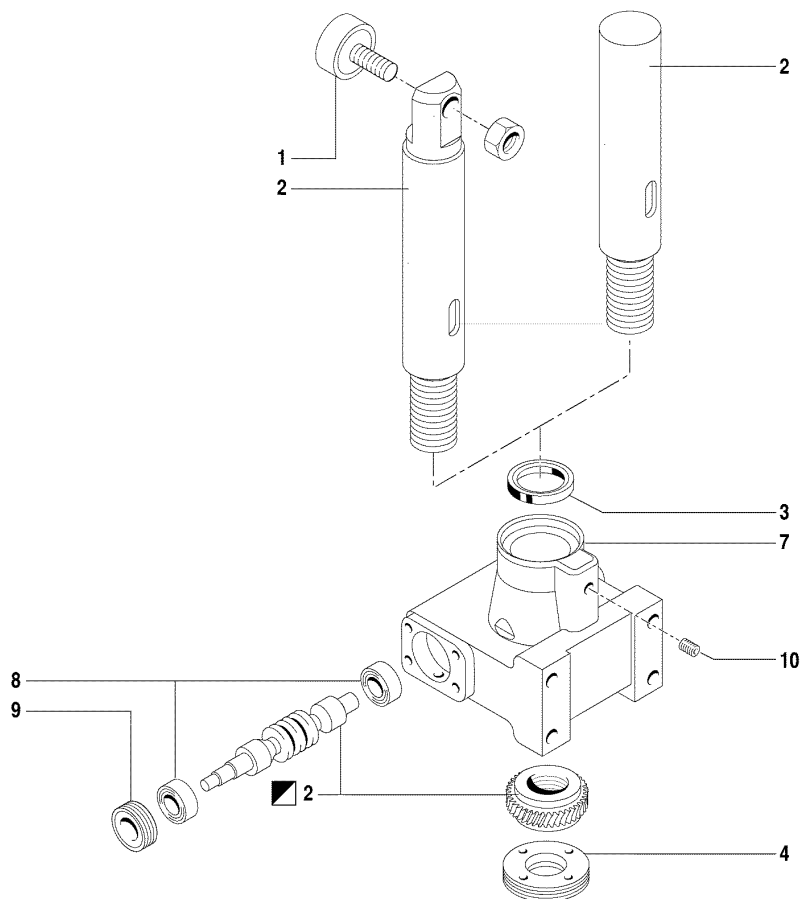
1	2201A0140 - 50/60HZ 400/..
1	2201A0155 - 50/60HZ 220/..
1	2201A0156 - 60HZ 575V
1	2201A0365 - 50/60HZ 200/..
2	L0922L0005 - 50HZ
2	L0922L0006 - 60HZ
3	2703A0020
4	L9131180300V
5	L9130831702V
6	3110A1633
7	L9090516000
8	2925A0011
9	L9081103001
10	L9082902300
11	2104A0073
12	L9120502800
13	L1205L0034
14	2420A0200
15	L1214L0050
16	2413A0030
19	L9081414500 - EB7-K
20	2164A0094
21	2440A0067



- 1 2201A0214 - 575V
- 1 2201A0346 - 200V
- 1 2201A0213 - 220/480V
- 2 L9092200300 - 50HZ
- 2 L9092200200 - 60HZ
- 3 2703A0014 - 50HZ
- 3 2703A0021 - 60HZ
- 4 B0011L05
- 5 L9120804200V
- 7 L9081102803V
- 8 L9130842200V
- 9 L1308L0004
- 10 L9090516100
- 11 292504100 - 0658-220-40 ..
- 12 L9081102901
- 13 L1205L0036
- 14 L9242010300 - 1319-50-95-0..
- 22 3110A1632

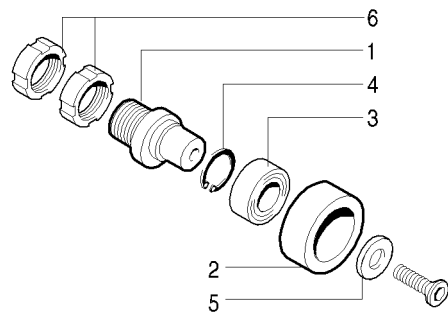


1	L9090538800
2	B0076L00
4	3110A1633
5	L1414L0002
6	290101700 - 2RS1-607 RIV..
7	L9080407000
8	L9080407100
9	L0905L0017 - DX
10	L9272204700
11	L9272201501
12	2701A0069
13	L9401603000
14	L1205L0097
15	L1214L0052
16	L1214L0051



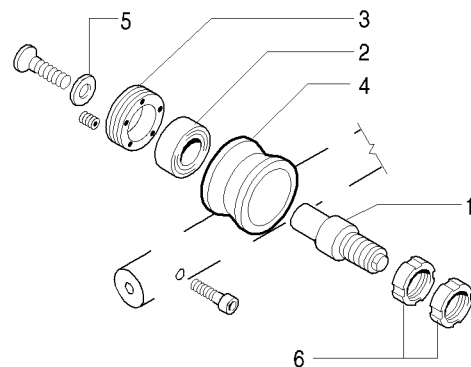
- 1 2916A0023
- 2 B0077L00
- 3 3110A1633
- 4 L9080407000
- 7 L9090538900
- 8 290101700 - 2RS1-607 RIV..
- 9 L9080407100
- 10 300403900 - M5X5

ROTELLA - EBT-120_2 - EBT-120_RELEASE_2 24-02-2003

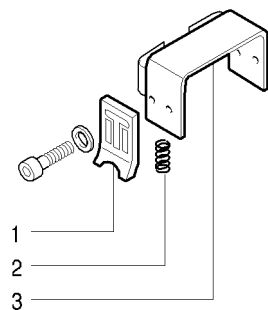


- 1 L0820L0003
- 2 L9082205000
- 3 2901A0055
- 4 302915400
- 5 L9080106600
- 6 3017A0014

ROTELLA - EBT-120_2 - EBT-120_RELEASE_2 24-02-2003

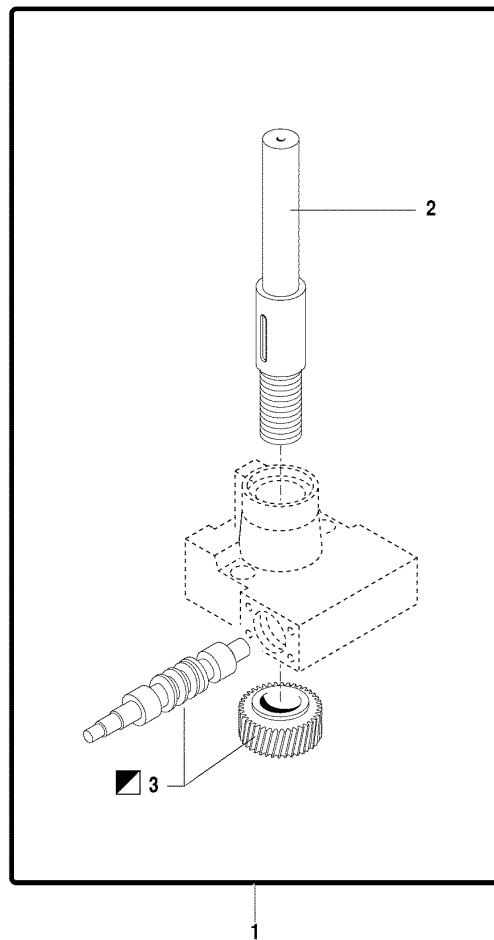


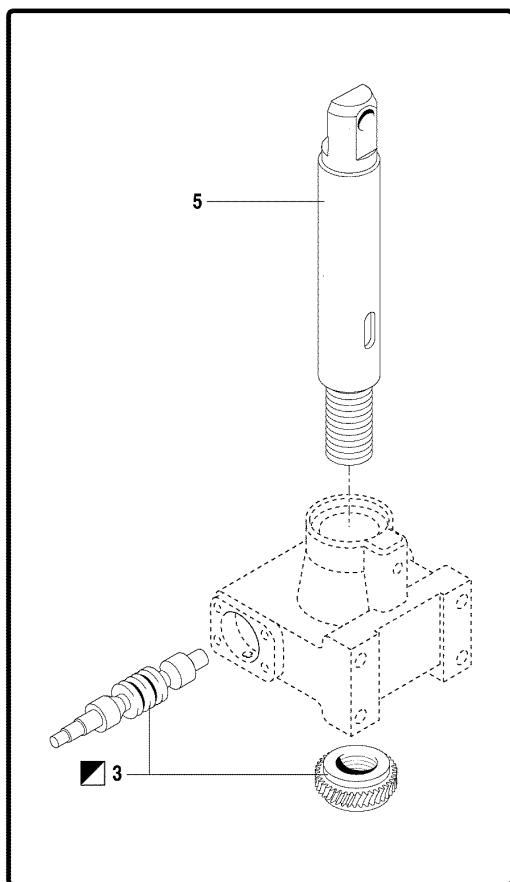
- 1 L9082008800
- 2 2904A0007
- 3 L9080482203
- 4 L9082202902
- 5 L9080106600
- 6 3017A0014



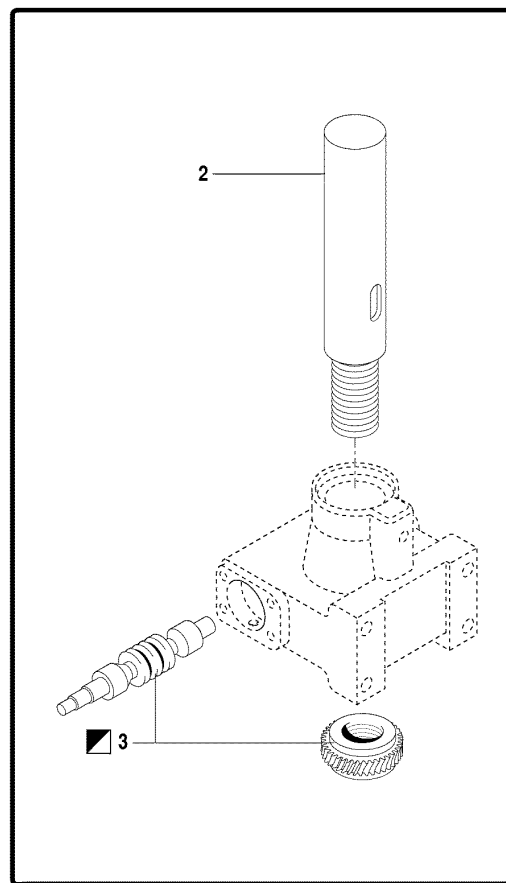
- | | |
|---|-------------|
| 1 | L9143202400 |
| 2 | L9280101100 |
| 3 | L9130538400 |

- 1 L1621L0002
- 2 L9082098300
- 3 L9082103101



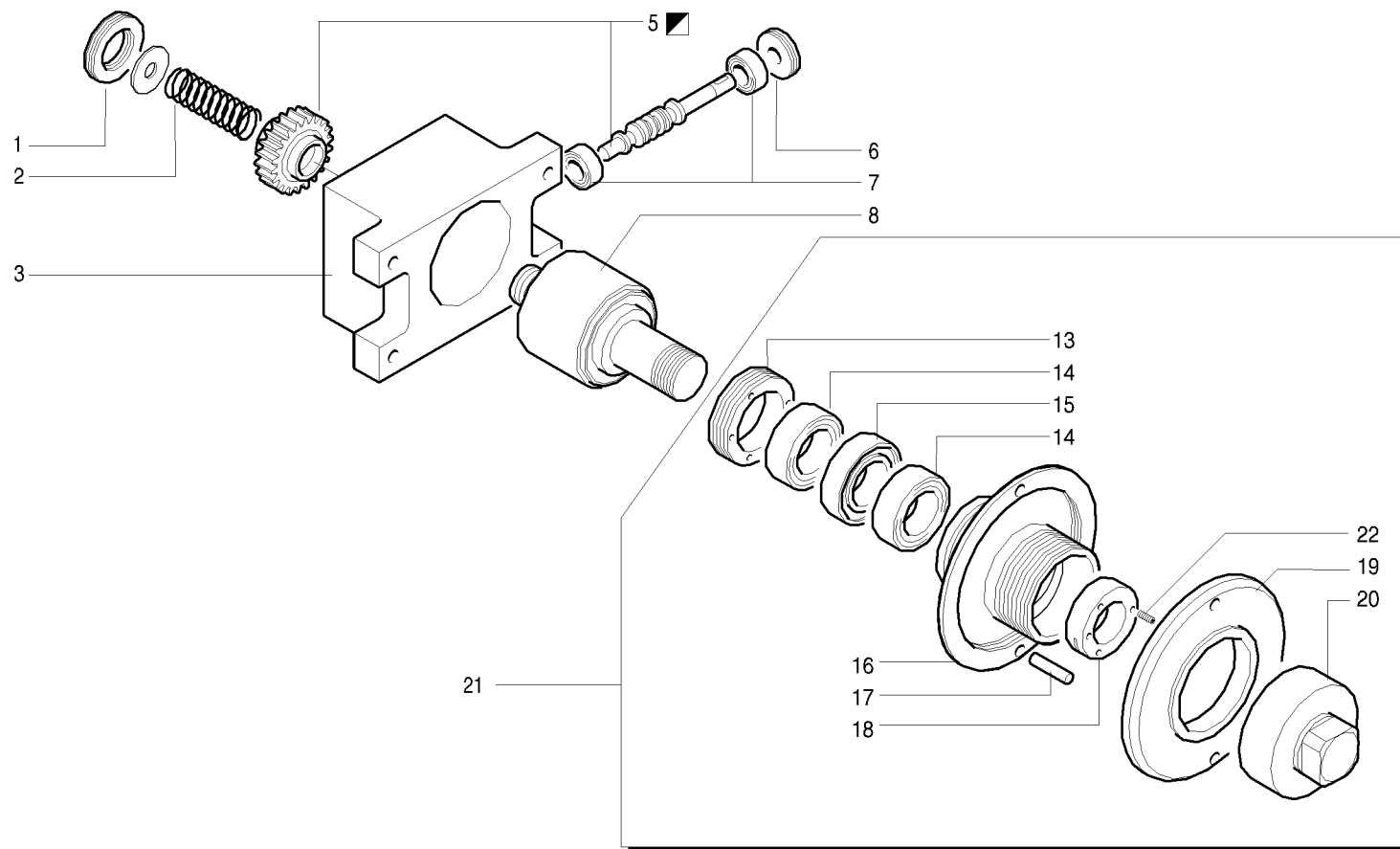


4

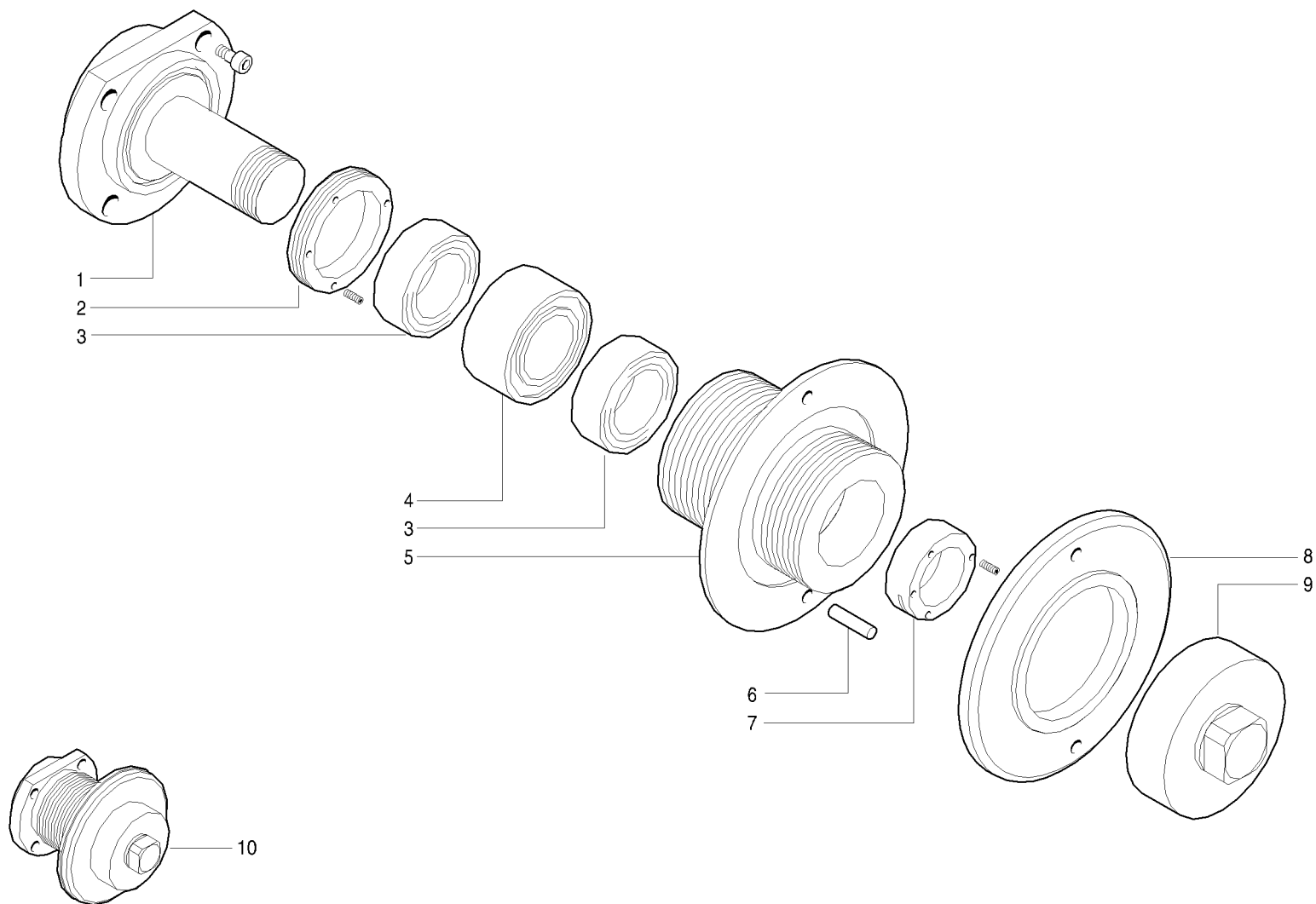


1

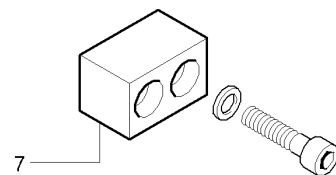
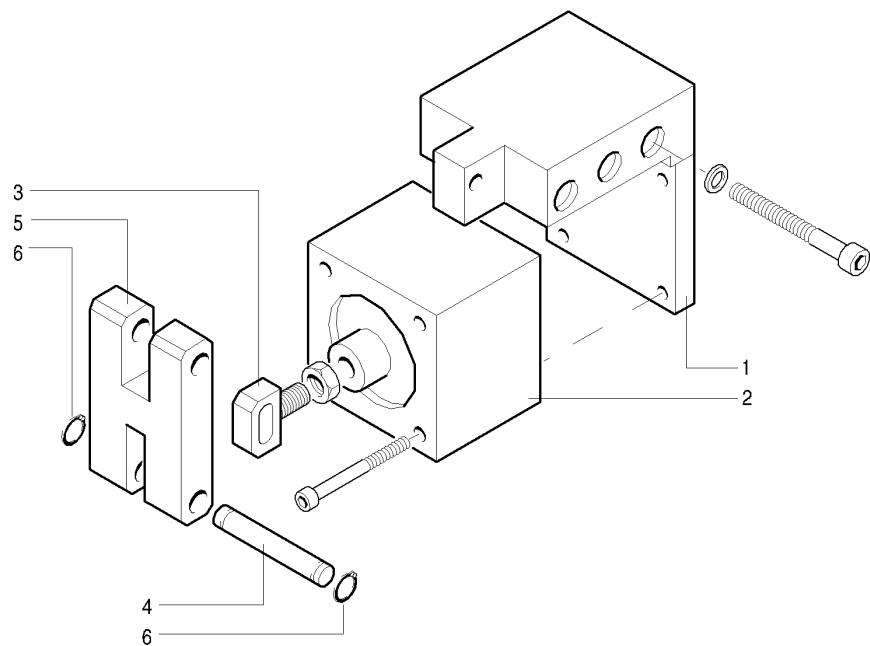
- 1 L1621L0004
- 2 L9082098500
- 3 L9082102802
- 4 L1621L0003
- 5 L9082098400



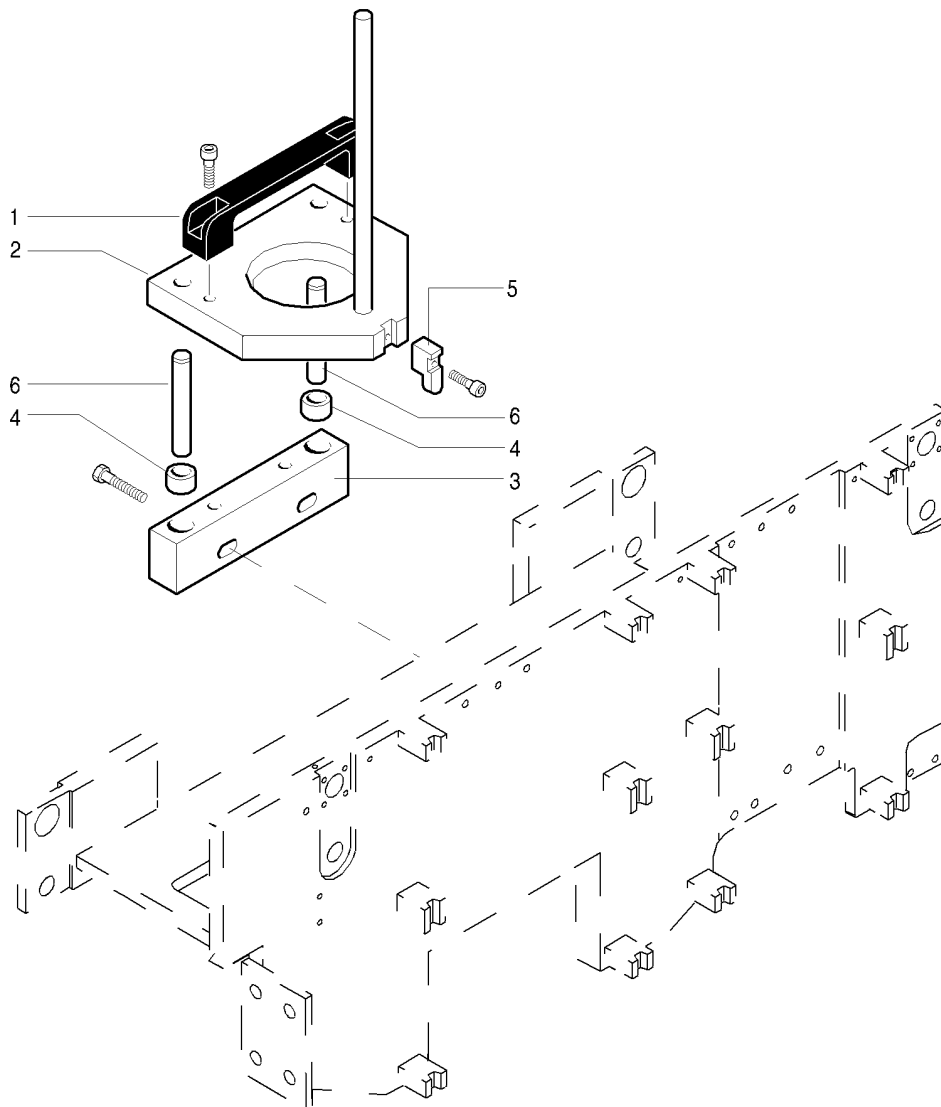
1	L9080407000
2	2801A0075
3	L9090517400
5	L9082102802
6	L9080407100
7	290101700 - 2RS1-607 RIV..
8	L9082098600
13	L9080401802
14	2904A0031
15	L9080610901
16	L9080704801
17	2922A0008
18	L9080469502
19	L9080169801
20	L9080469901
21	L6412L0008
22	300403900 - M5X5



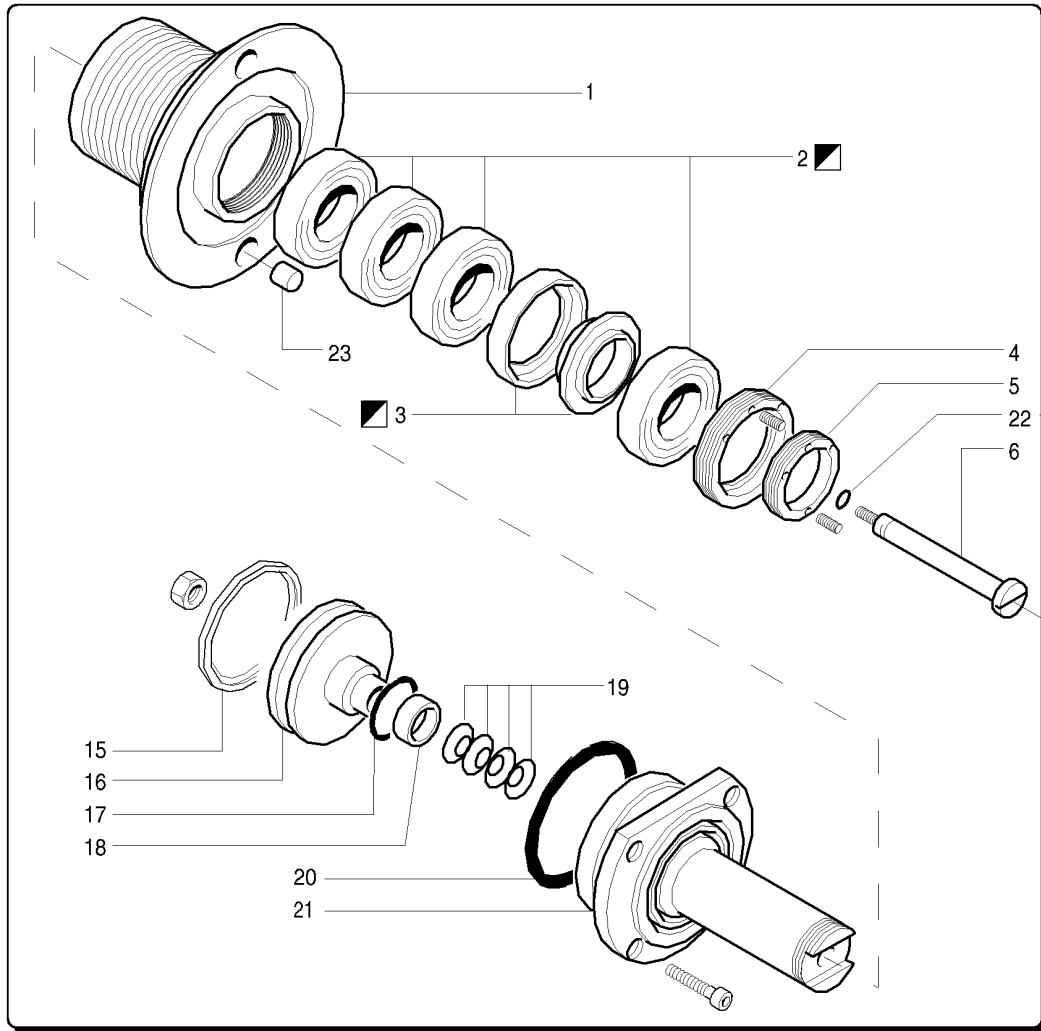
1	L9082079801
2	L9080431402
3	2904A0015
4	L9080694901
5	L9080780701
6	2922A0008
7	L9080496401
8	L9080180801
9	L9080494801
10	L6412L0006



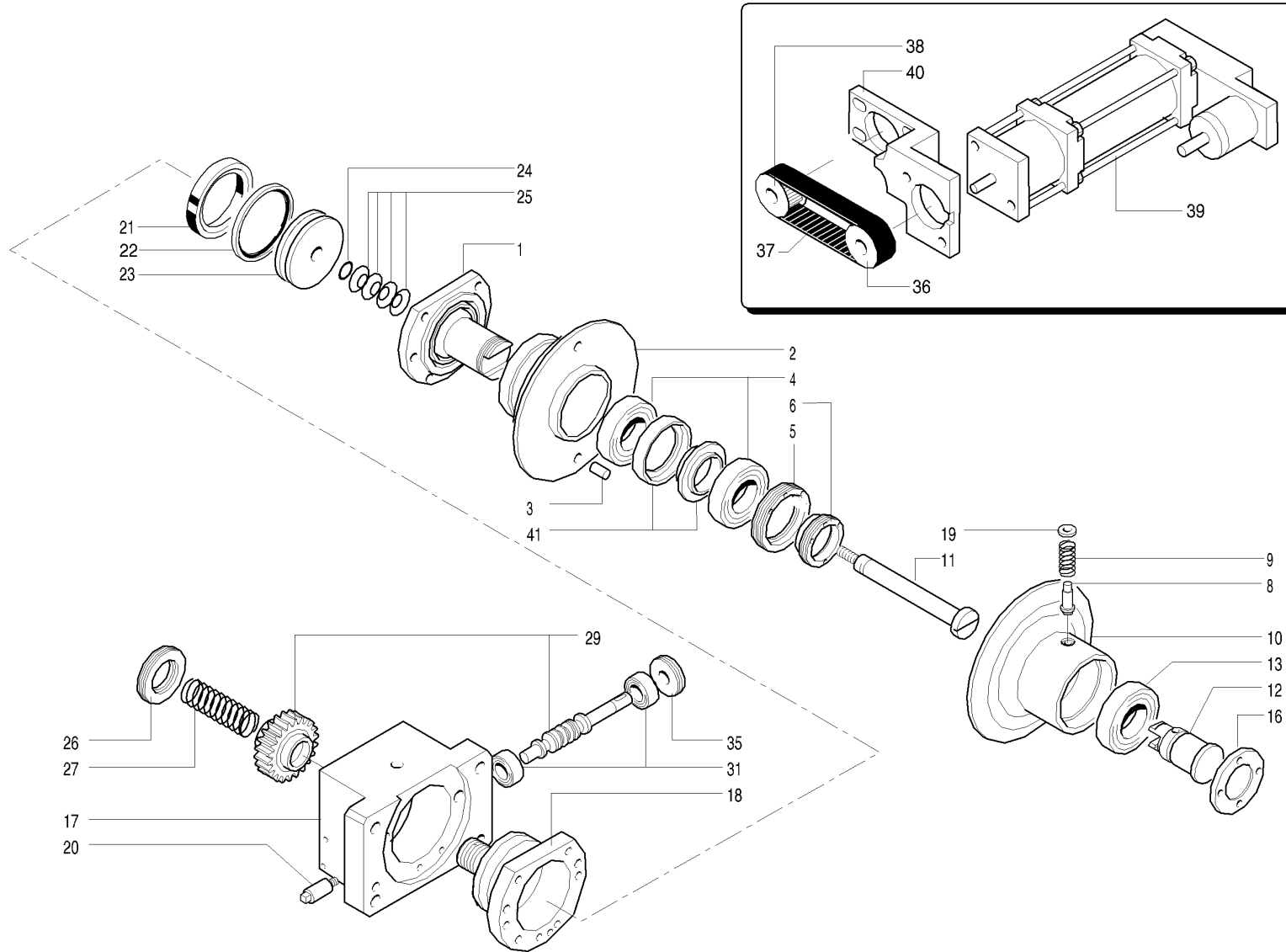
- 1 L9130538101
- 2 2420A0304
- 3 L9082003902
- 4 L9082012101
- 5 L9082417300
- 6 302900500 - 8 UNI 7435
- 7 L9081411700



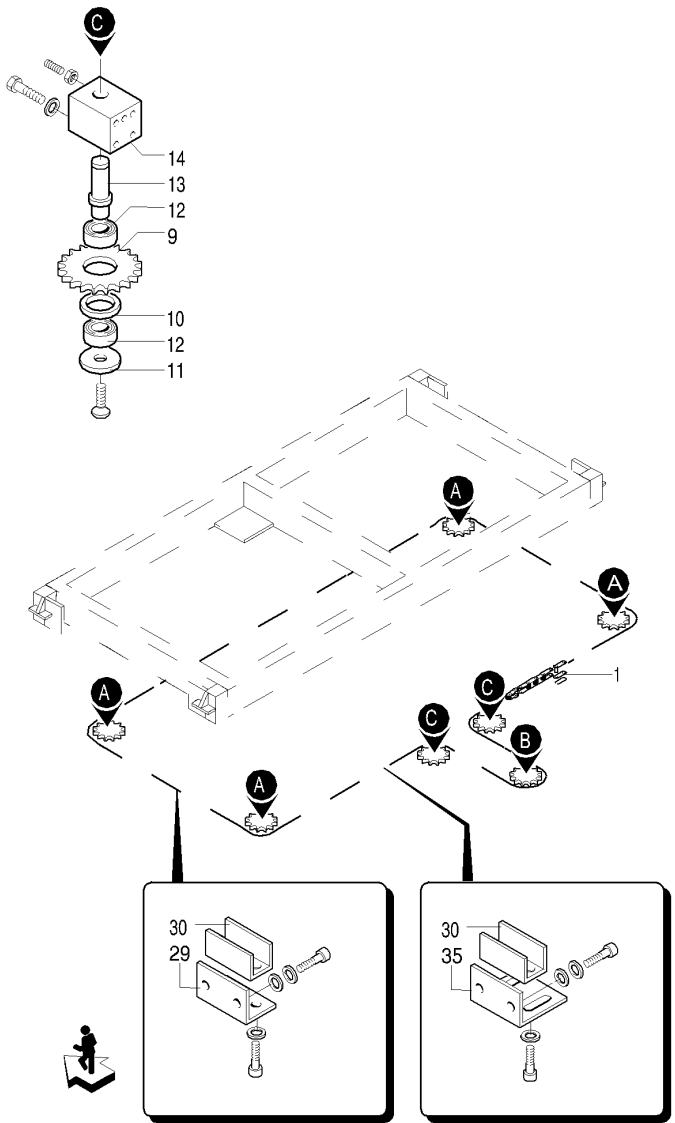
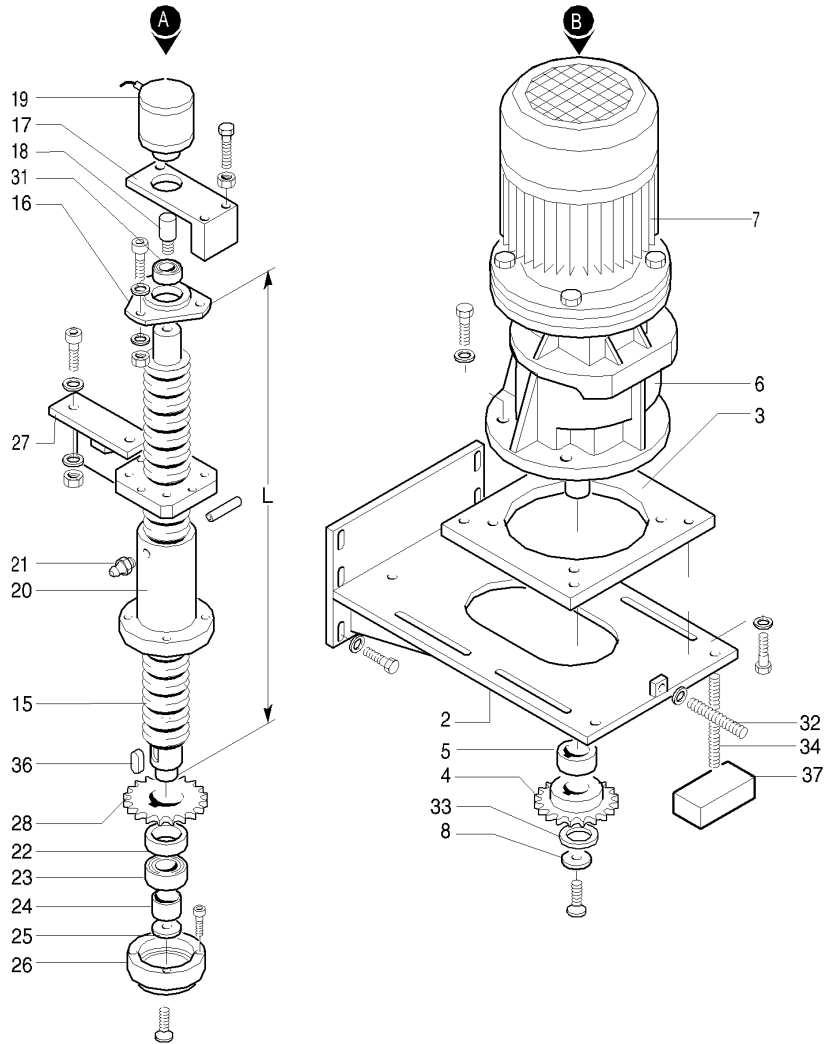
- 1 2711A0111
- 2 L9081410901V
- 3 L9081411200 - STD
- 3 L9081411000 - OPT
- 4 2708A0017
- 5 L9082010303
- 6 L9082010601



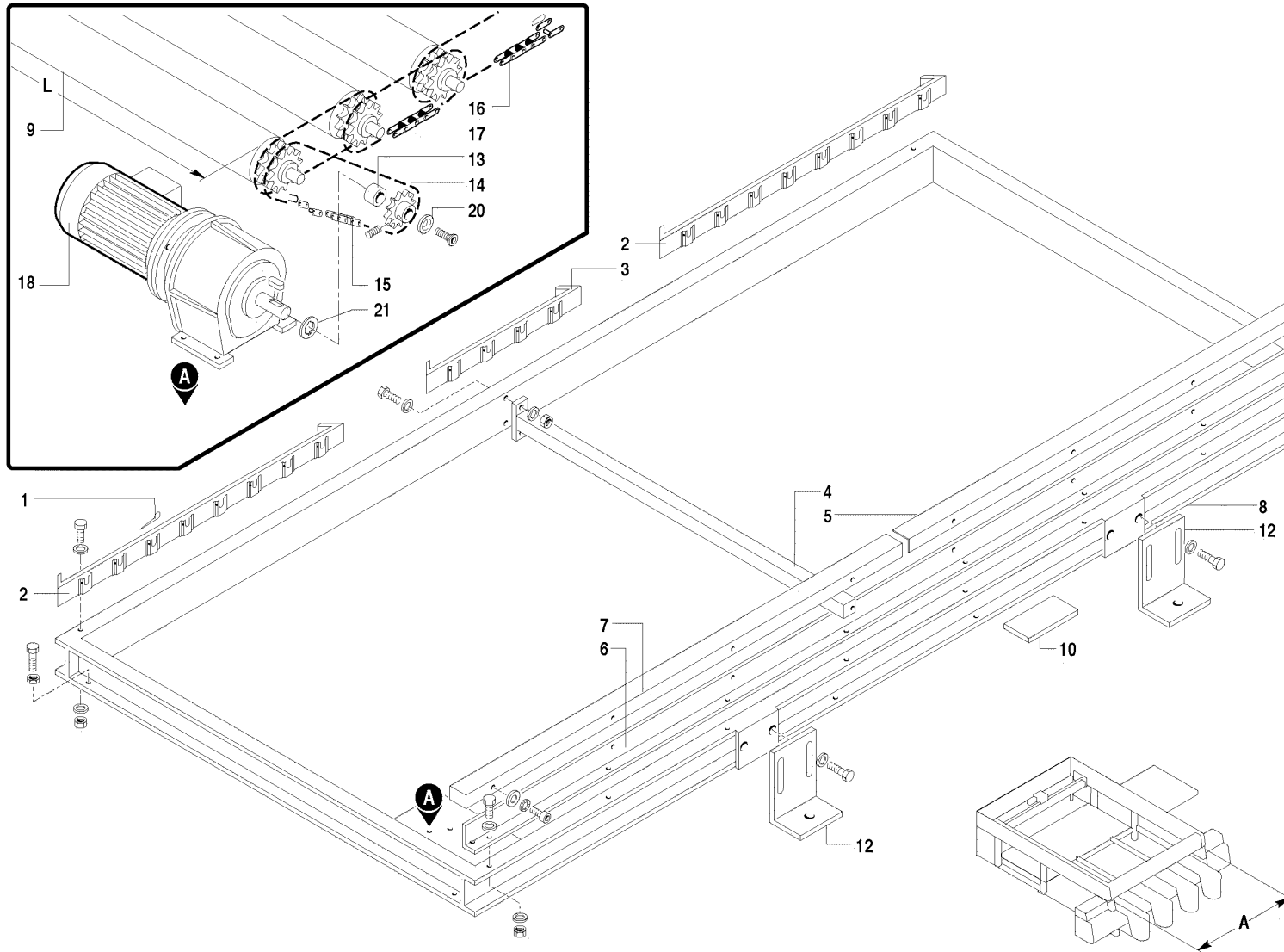
- 1 L9080770400
- 2 2904A0014
- 3 L9080664601
- 4 L9080464704
- 5 L9080464801
- 6 L9081500700
- 7 L9080163802
- 8 L9080163300
- 9 2904A0011
- 11 L9080402901
- 12 L9080163400
- 13 L9280100700
- 14 L9080164702
- 15 310700400
- 16 L0815L0016
- 17 3110A1623
- 18 L1017L0007
- 19 2806A0017
- 20 3110A1616
- 21 L9082058907
- 22 311001000
- 23 2922A0008
- 24 L6412L0007
- 25 L6412L0005



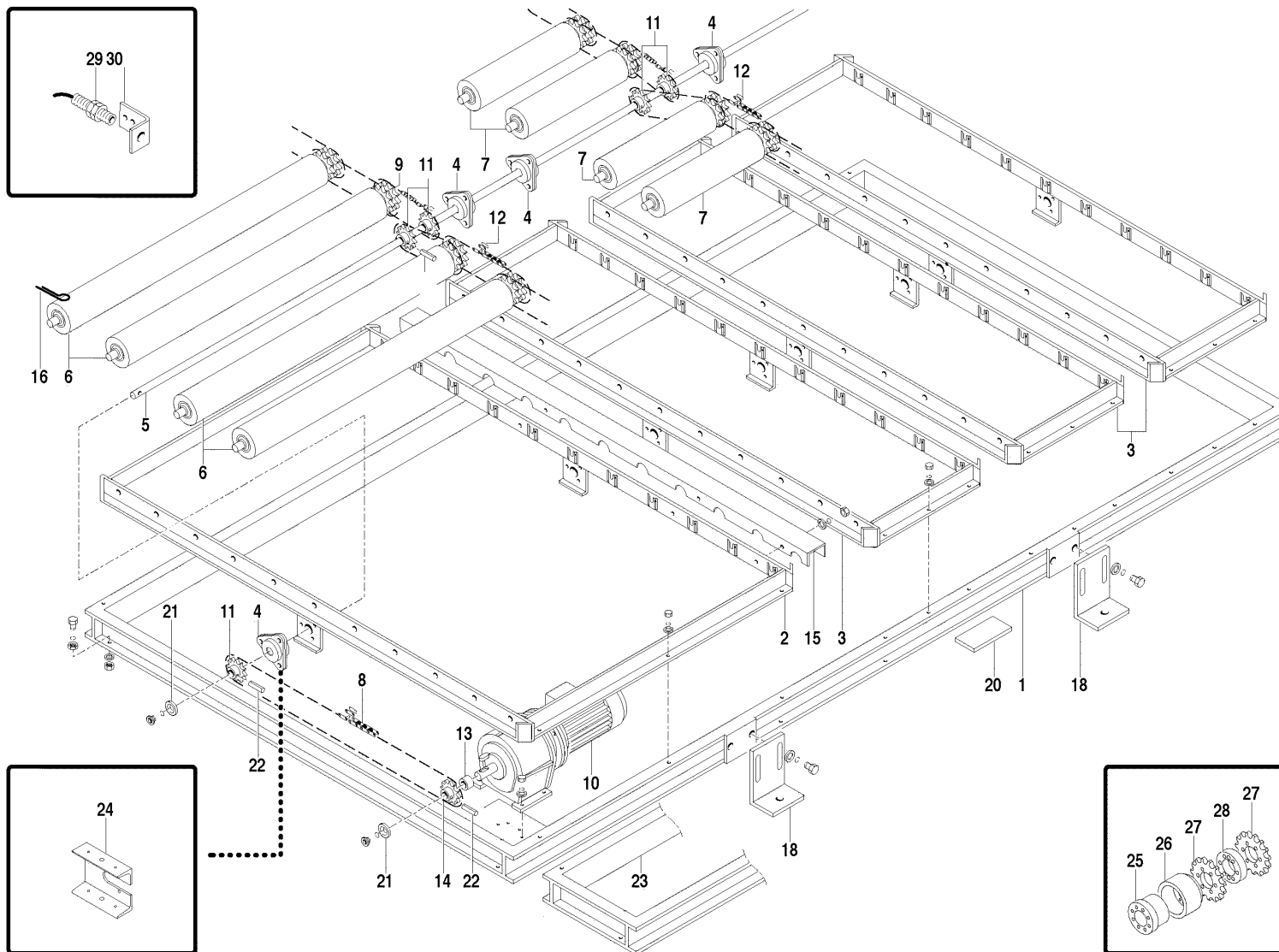
1	L9082058802
2	L9080770000
3	2922A0009
4	2904A0031
5	L9080486905
6	L9080487002
8	L9080163400
9	L9280100700
10	L9080164802
11	L9081510001
12	L9080163702
13	2904A0011
16	L9080402901
17	L9090504802
18	L9080561200
19	L9080163300
20	L9082013100
21	3123A0010
22	311006500
23	L0815L0015
24	311000900
25	2806A0019
26	L9080407000
27	2801A0075
29	L9082102802
31	290101700 - 2RS1-607 RIV..
35	L9080407100
36	L9272201501
37	2701A0069
38	L9272204700
39	L9401602900
40	L0905L0001
41	L9080686800



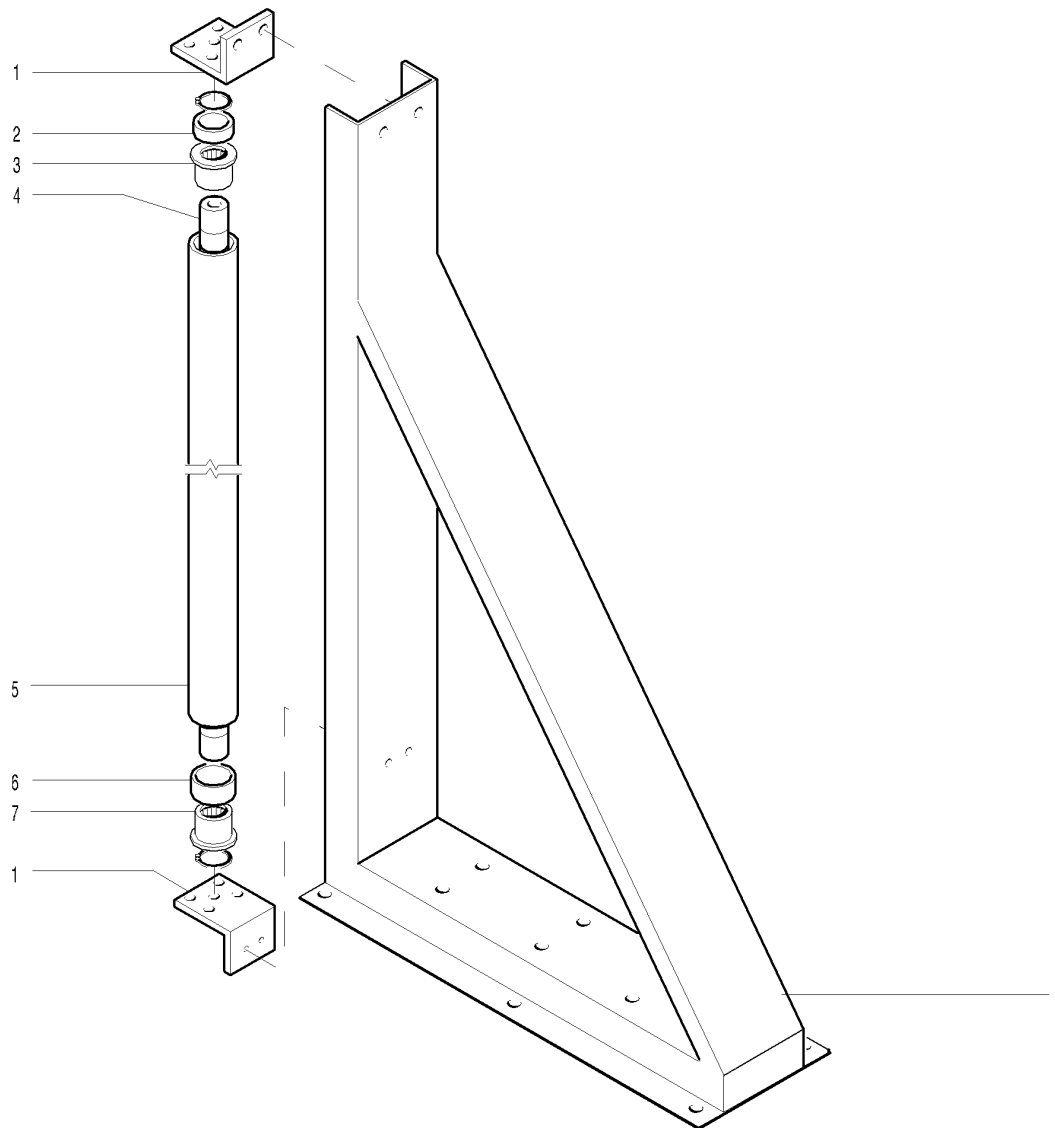
- 1 2709A0176 - 655M
- 1 2709A0177 - 704M
- 1 2709A0174 - 609M
- 1 2709A0062 - 515M
- 2 L9130502902V
- 3 L9080105300V
- 4 L9272211500
- 5 L9080615200
- 6 2001A0085
- 7 2201A0382 - 60HZ 200V
- 7 2201A0425 - 60HZ 220V
- 7 2201A0232 - 60HZ 575V
- 7 2201A0224 - 50HZ 230/400..
- 7 2201A0241 - 50HZ 200V
- 8 3019A0094
- 9 L9272211600
- 10 L9080600400
- 11 L9080106600
- 12 290101000 - 6004-2RS RIV..
- 13 L9082018000
- 14 L9080518101V
- 15 L9081540702
- 16 2918A0023
- 17 L9130510200
- 18 L9082015400
- 19 2211A0020
- 20 L9101500400
- 21 2605A0003 - EB1
- 22 L9080640900
- 23 2926A0005
- 24 2906A0024
- 25 L9080619600
- 26 L9080117700
- 27 L9130532702V
- 27 L9130532602V
- 28 L9272211400
- 29 L9130543401
- 30 L9141449200
- 31 2918A0004
- 32 L9081449700
- 33 L9080615600
- 34 L9081592400
- 35 L9130531300
- 36 3025A0039
- 37 L9131455800



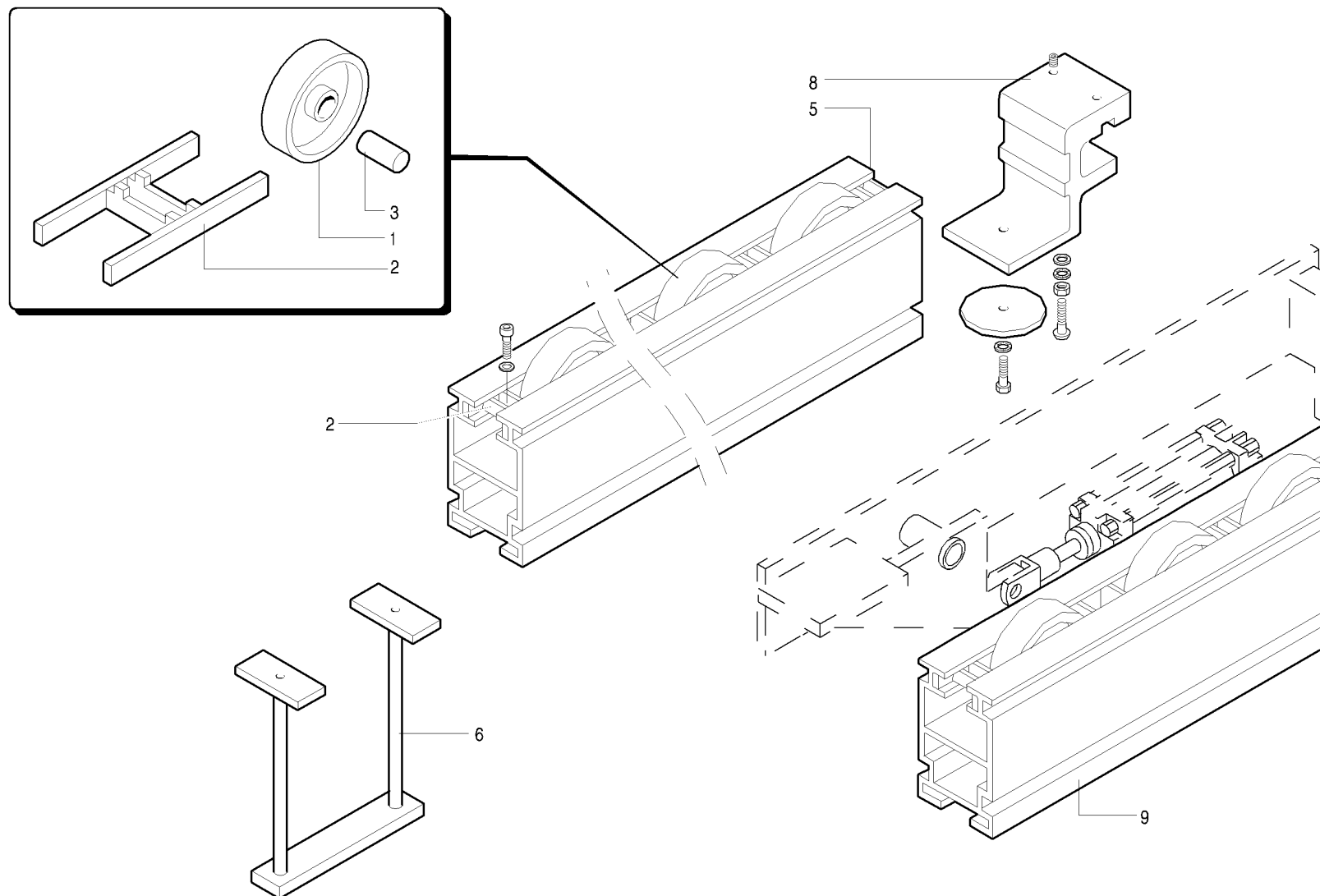
- 1 3028A0007
- 2 L9131002600V
- 2 L9131047700V
- 2 L9131047600V
- 2 L9131046800V
- 3 L9131046900V
- 4 L9080608000
- 4 L9131481001V
- 5 L9130826002V
- 5 L9130847302V
- 5 L9130847402V
- 6 L9131003601V
- 6 L9131046700V
- 6 L9131047500V
- 7 L9130847502V
- 7 L9130825902V
- 7 L9130854201V
- 8 L1303L0041V - *DIM3800
- 8 L1303L0039V - DIM 5622
- 8 L1303L0040V - *DIM4400
- 9 L9271402600 - L=2000
- 10 L9081422900
- 12 L9080590201V
- 13 L9080608000
- 14 L9272210901
- 15 2709A0143
- 15 2709A0105 - DIM 3800-440..
- 16 2709A0031
- 17 2709A0120
- 18 2206A0024 - C 212P
- 18 2206A0120 - 200V 60HZ
- 18 2206A0119 - 200V 50HZ
- 18 2206A0025 - C 202P
- 20 L9082800700
- 21 L9080608000



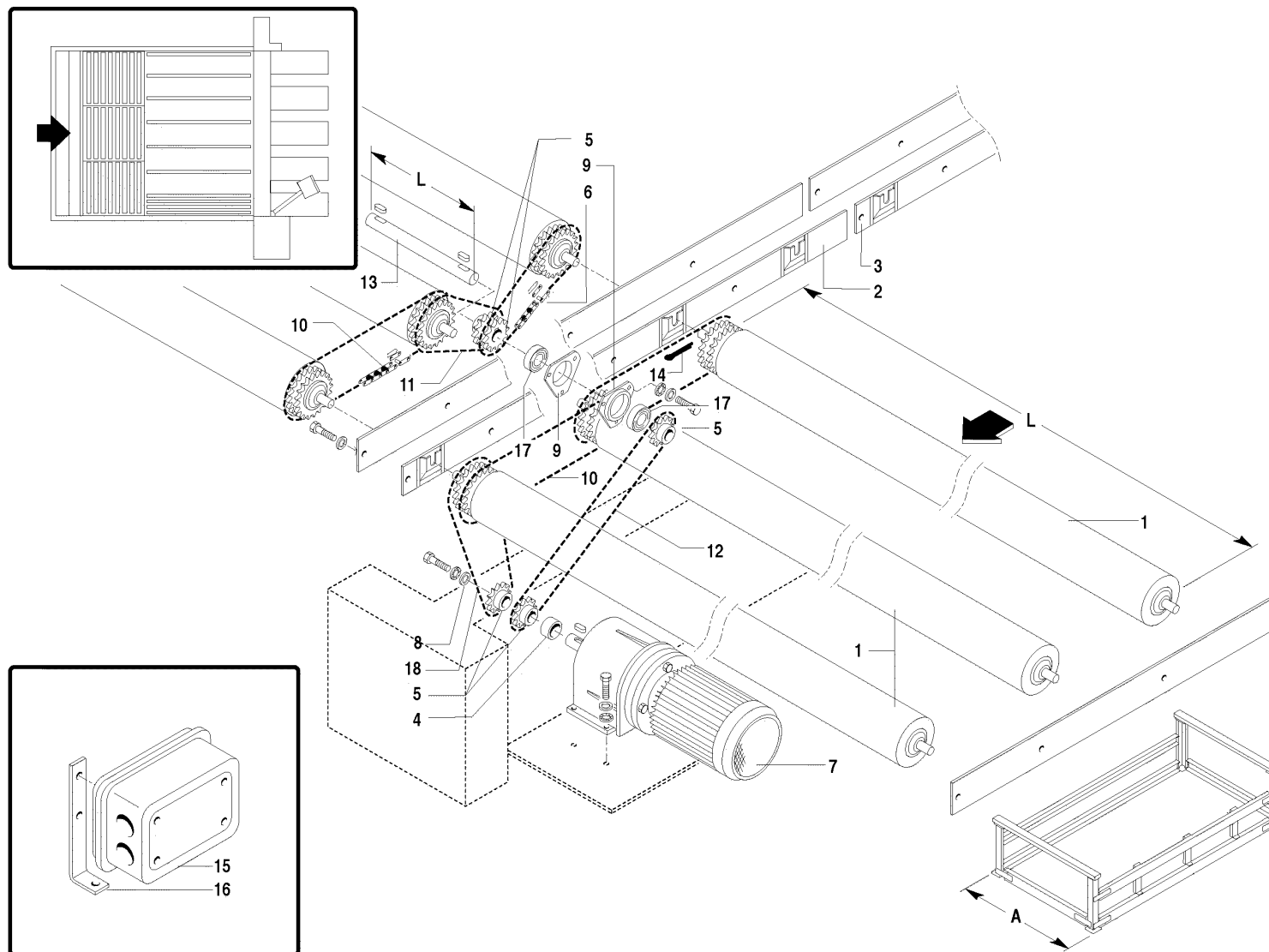
1	L1303L0040V - *DIM4400
1	L1303L0039V - DIM 5622
1	L1303L0041V - *DIM3800
1	L1303L0092V - DIM 5627
2	L9131047301V - DIM 5622
2	L9131047001V
2	L1303L0082V - DIM 5627
2	L1303L0092V - DIM 5627
3	L9131047101V - DIM 5622
3	L1303L0094V - DIM 5627
4	2918A0033
5	L0807L0089
5	L0807L0090
5	L0807L0091 - DIM 5622
5	L0807L0103 - DIM 5627
6	L9271402500 - L=1700
6	L9271402300 - L=1300
7	L9271401000 - DIM 5627
7	L9271402000
8	2709A0029
8	2709A0292 - DIM 5627
8	2709A0119 - DIM 5622
9	2709A0031
10	2206A0025 - C 202P
10	2206A0119 - 200V 50HZ
10	2206A0024 - C 212P
10	2206A0120 - 200V 60HZ
11	L2721L0012
12	2709A0180 - 5/8"
13	L9080627000
14	L9272210901
15	L9130847201V
15	L1208L0474V - DIM 5627
16	3028A0007
18	L9080590201V
20	L9081422900
21	L9082800700
22	3024A0031
23	L1303L0093V - DIM 5627
24	L1314L0035V - DIM 5627
25	2707A0065 - DIM 5627
26	L0801L0029 - DIM 5627
27	L2721L0019 - DIM 5627
28	L0806L0052 - DIM 5627
29	2164A0107 - STD
30	L1205L0080



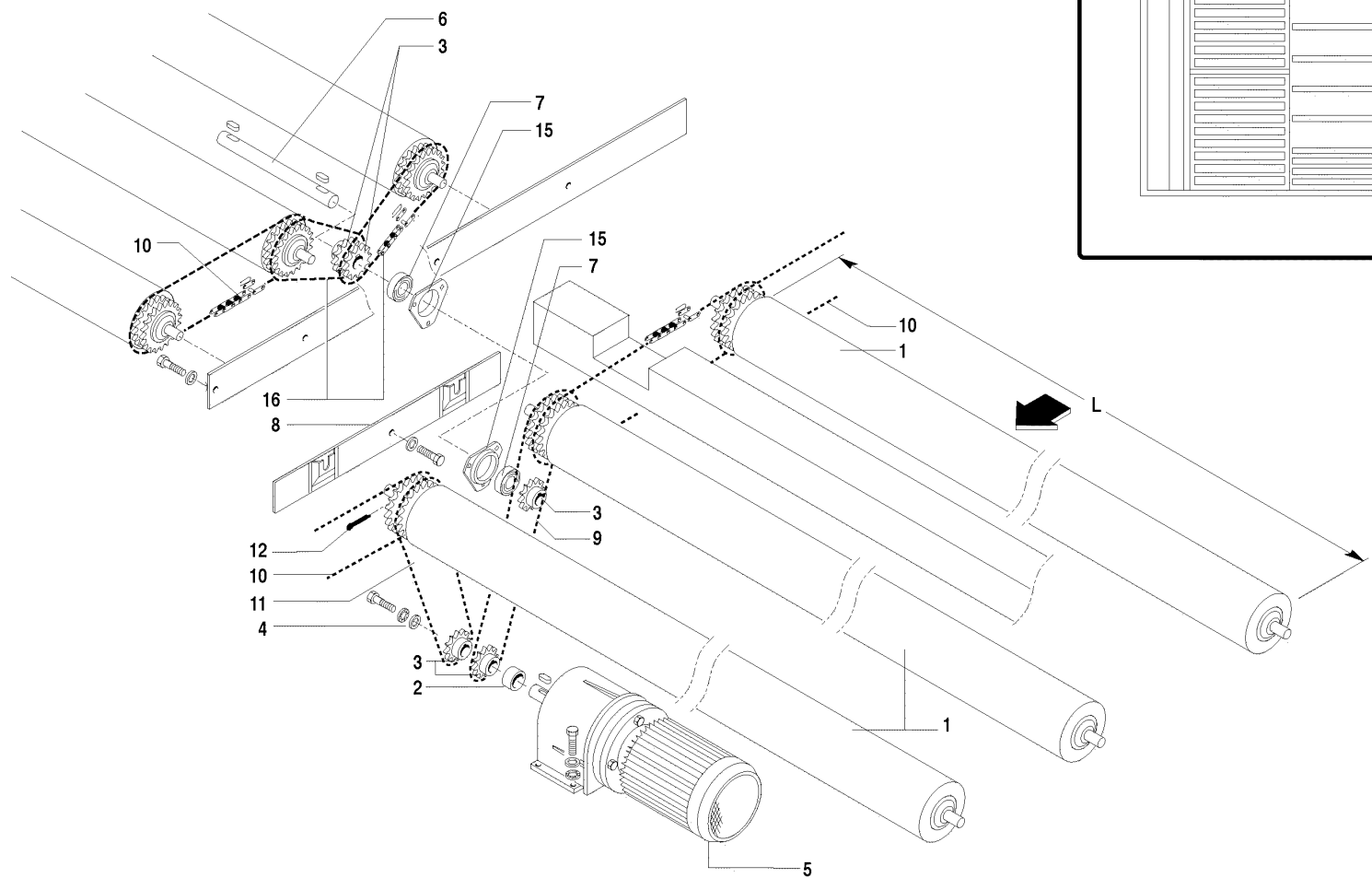
1	L9080602001V
2	L9080600200
3	2607A0001
4	L9082000500 - H=1490MM
4	L0807L0099 - H=1100
4	L0807L0009 - H=650MM
5	L9082200200 - H=1490
5	L0822L0021 - H=1100
5	L0822L0002 - H=650MM
6	L9080601400
7	2926A0004
9	L9130509001V - H=1490
9	L1305L0046V - H=650
9	L1205L0266V - H=1110



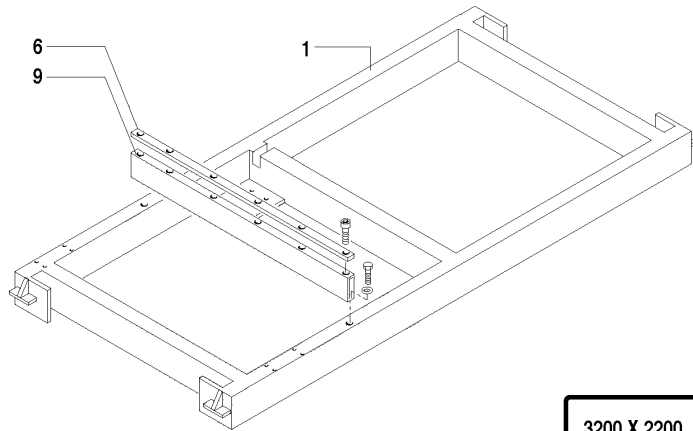
- 1 L9012200100
- 2 L9010600300
- 3 L9082012900
- 5 L9090503101 - L=2575
- 5 L0905L0022
- 5 L0905L0021 - L=3757
- 6 D0087L00
- 8 L9120500500
- 9 L9090509400



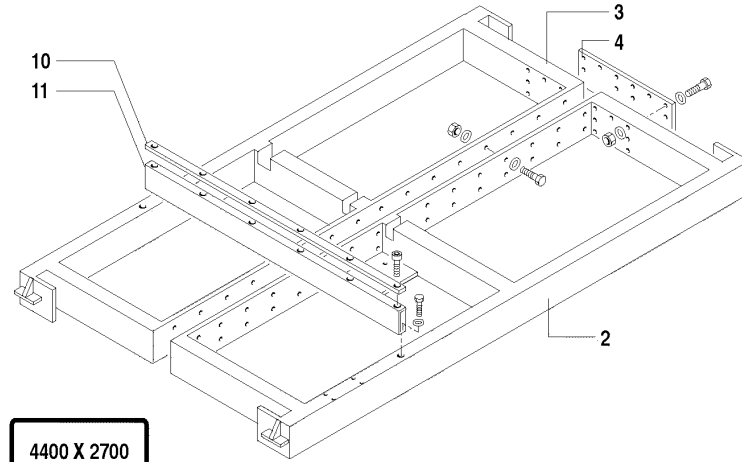
- 1 L9271402600 - L=2000
- 1 L9271402500 - L=1700
- 1 L9271402400 - L=1400
- 2 L9130555200V - L=476
- 2 L9130542600V - L=1300
- 3 L9130542500V - L=1110
- 3 L9130555100V - L=665
- 4 L9080608000
- 5 L9272210901
- 6 2709A0024
- 7 2206A0024 - C 212P
- 7 2206A0120 - 200V 60HZ
- 7 2206A0119 - 200V 50HZ
- 7 2206A0025 - C 202P
- 8 L9082800700
- 9 2918A0007
- 10 2709A0031
- 11 2709A0105 - DIM 3800-440..
- 12 2709A0180 - 5/8"
- 13 L9080730001 - L=300
- 13 L9080773800 - L=1830
- 14 3028A0007
- 15 L9141204301
- 16 L9081489500V
- 17 2918A0003
- 18 2709A0025



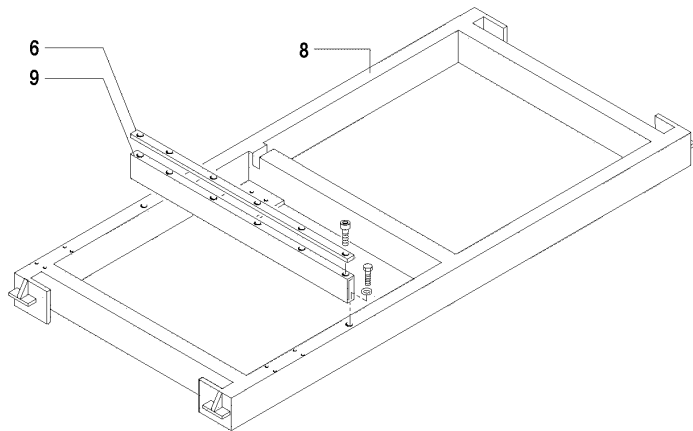
- 1 L9271402600 - L=2000
- 1 L9271402300 - L=1300
- 1 L9271402200 - L=1100
- 2 L9080608000
- 3 L9272210901
- 4 L9082800700
- 5 2206A0120 - 200V 60HZ
- 5 2206A0119 - 200V 50HZ
- 5 2206A0024 - C 212P
- 5 2206A0025 - C 202P
- 6 L9080730001 - L=300
- 7 2918A0003
- 8 L9130555100V - L=665
- 8 L9130555200V - L=476
- 8 L9130568000V - L=1700
- 8 L9130568300V - L=1395
- 8 L9130524800V
- 9 2709A0180 - 5/8"
- 10 2709A0031
- 10 L2709L0008
- 11 2709A0105 - DIM 3800-440..
- 12 3028A0007
- 15 2918A0007
- 16 2709A0086 - DIM 3827-440..
- 16 2709A0167 - DIM 3822-560..



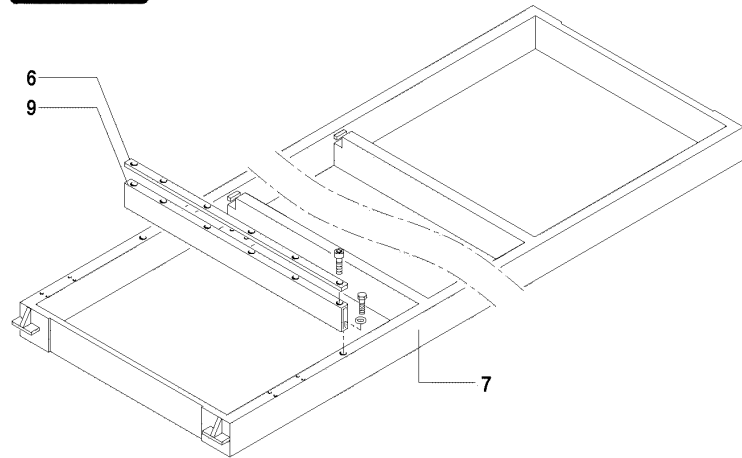
3200 X 2200



4400 X 2700

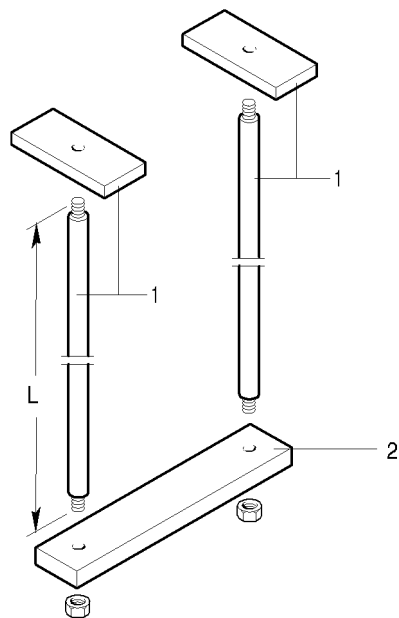


4400 X 2200

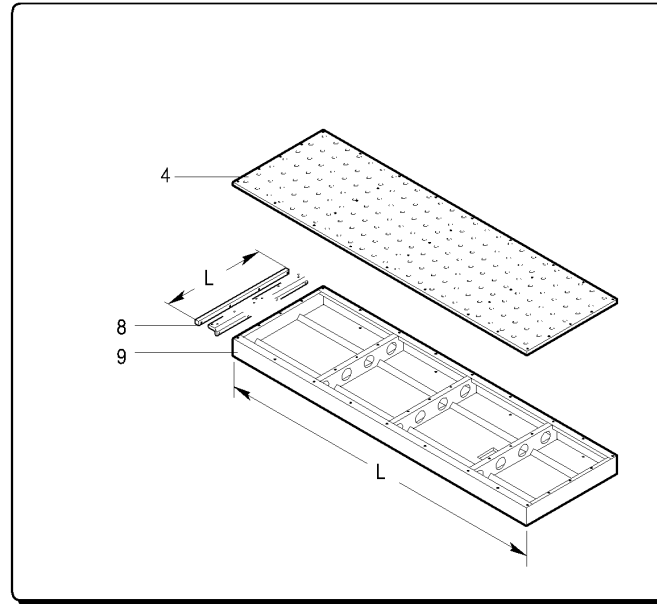
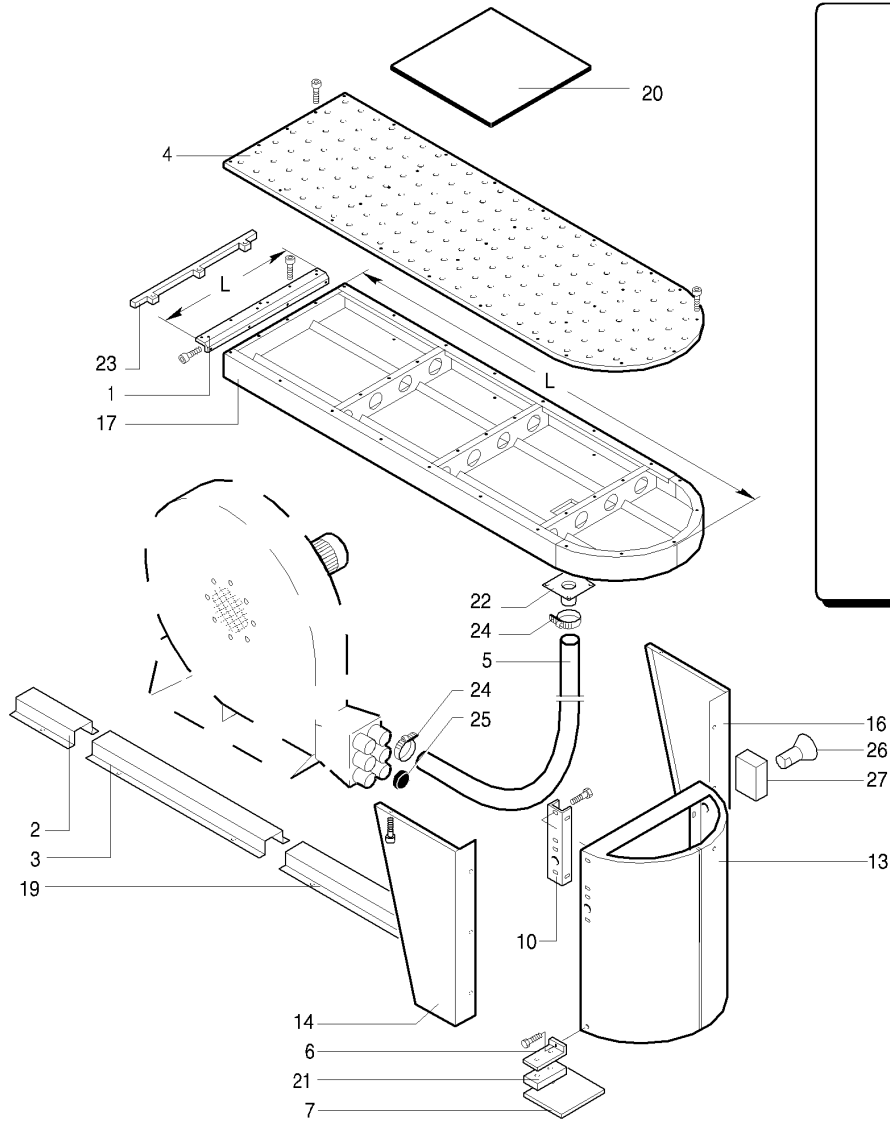


5600 X 2700

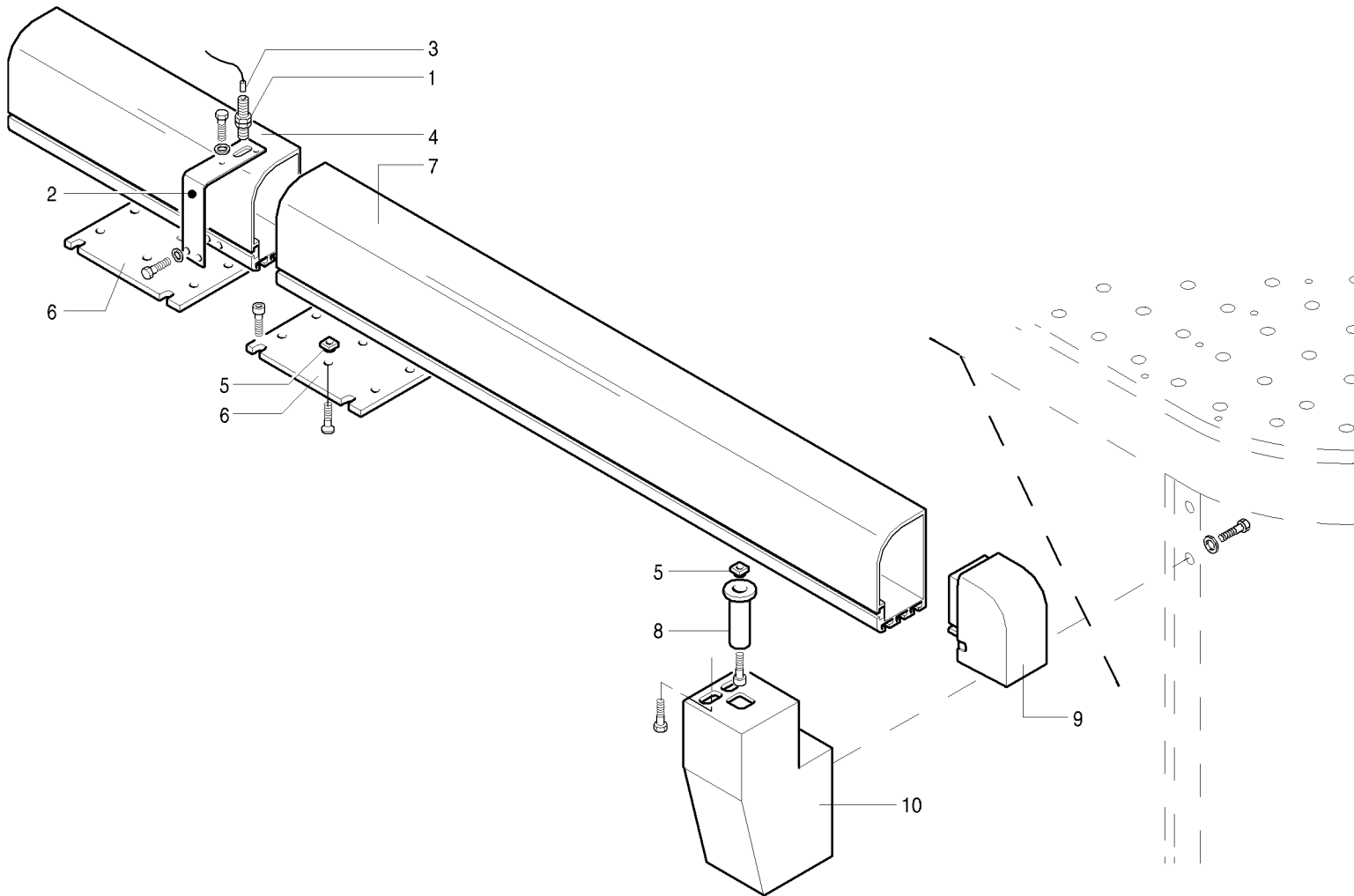
- 1 L1303L0071V
- 2 L1303L0049V
- 3 L9130575500V
- 4 L9085448500V
- 6 L9141114600
- 7 L1303L0034V
- 8 L1303L0048V
- 9 L9130546000V
- 10 L9141101500
- 11 L9130556600V



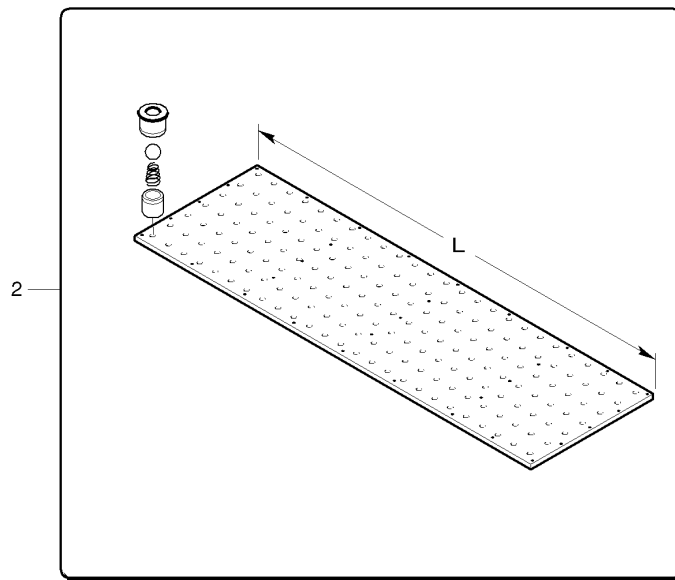
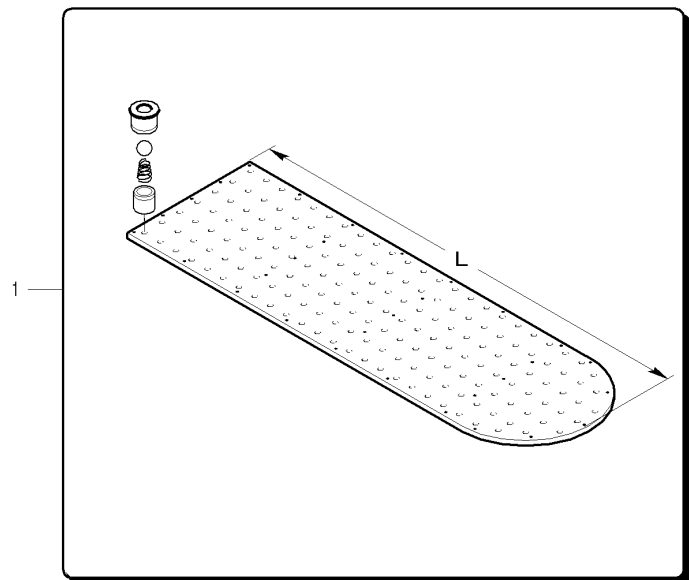
- 1 L1604L0001
- 2 L9081425001



- 1 L9091405502
- 2 L9120801000V
- 3 L9120801300V
- 4 E0026L02
- 5 2443A0031
- 6 L9131459601
- 7 L9081422900
- 8 L9080514800
- 9 L9132808610V - L=1460
- 9 L9132808710V - L=2020
- 10 L1214L0054
- 13 L1305L0055V
- 14 L1208L0318V
- 16 L1208L0319V
- 17 L9132808510V - L=1460
- 17 L9132808810V - L=2020
- 19 L9120803100V - L=1150
- 20 L9150802801 - 350X500
- 21 L9131456400
- 22 L9132809200V
- 23 L9081498800
- 24 201500400 - D=47-67
- 25 2403A0050
- 26 2118A0101
- 27 2118A0144

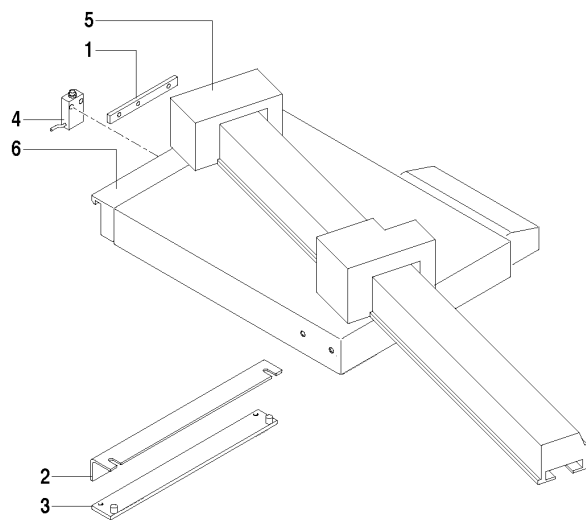


- 1 2164A0086
- 2 L1205L0116
- 3 2164A0140
- 4 L0928L0023
- 5 L0804L0008
- 6 L1214L0059
- 7 L0928L0022
- 8 L0820L0053
- 9 L1401L0007
- 10 L9130537411V

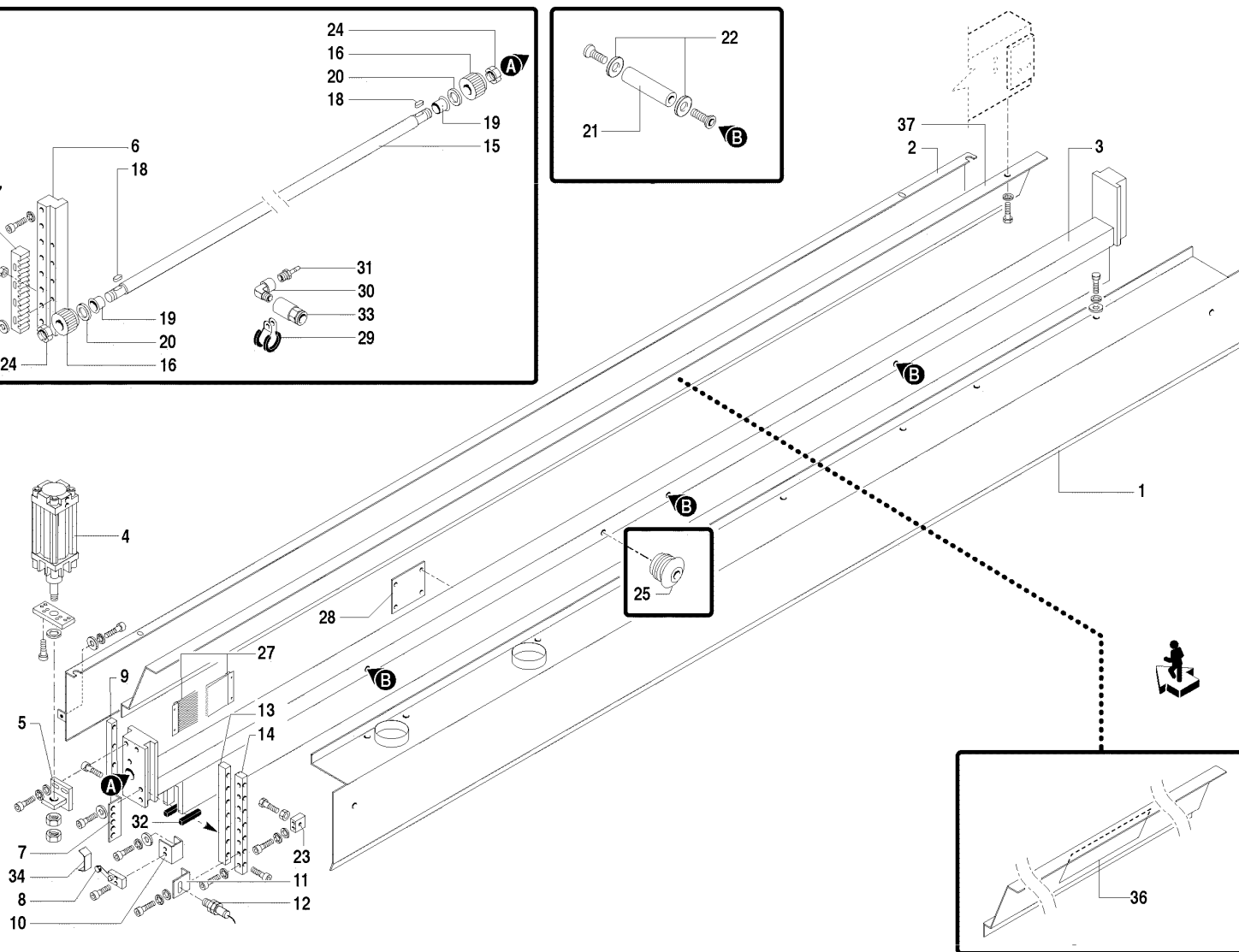
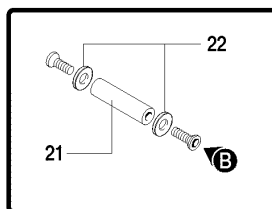
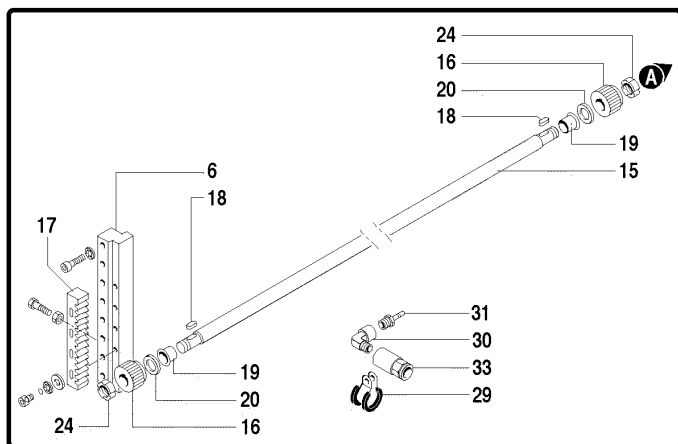


- 1 L9160801000 - L=2065
- 1 L9160800800 - L=1505
- 2 L9160800900 - L=2065
- 2 L9160800700 - L=1505

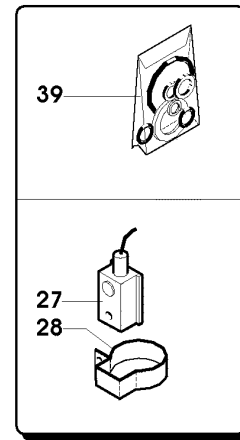
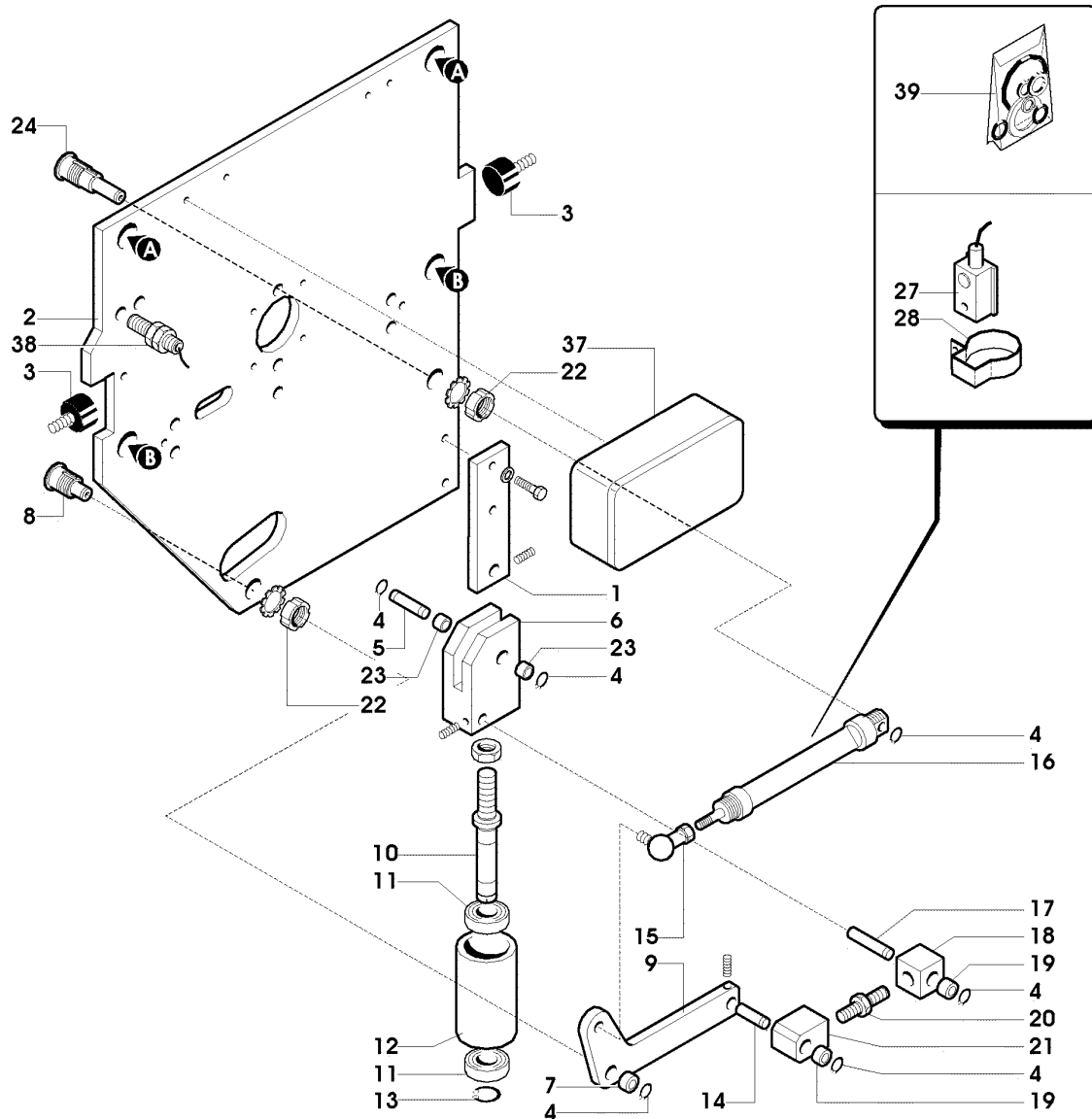
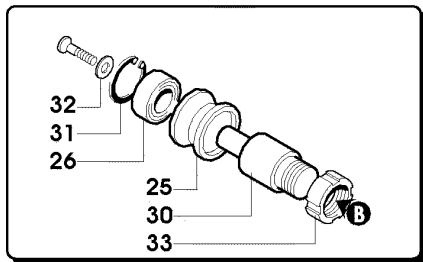
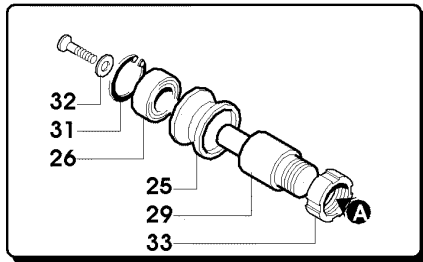
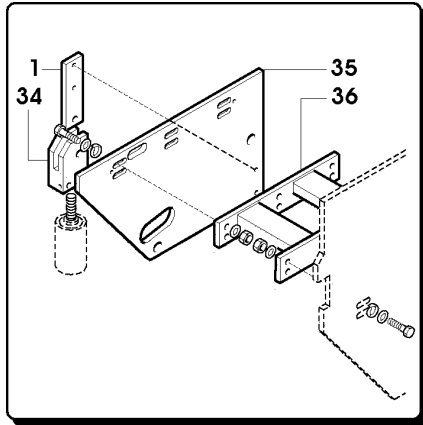
ASSIEME BATTUTA - EBT-120_2 - EBT-120_RELEASE_2 24-02-2003



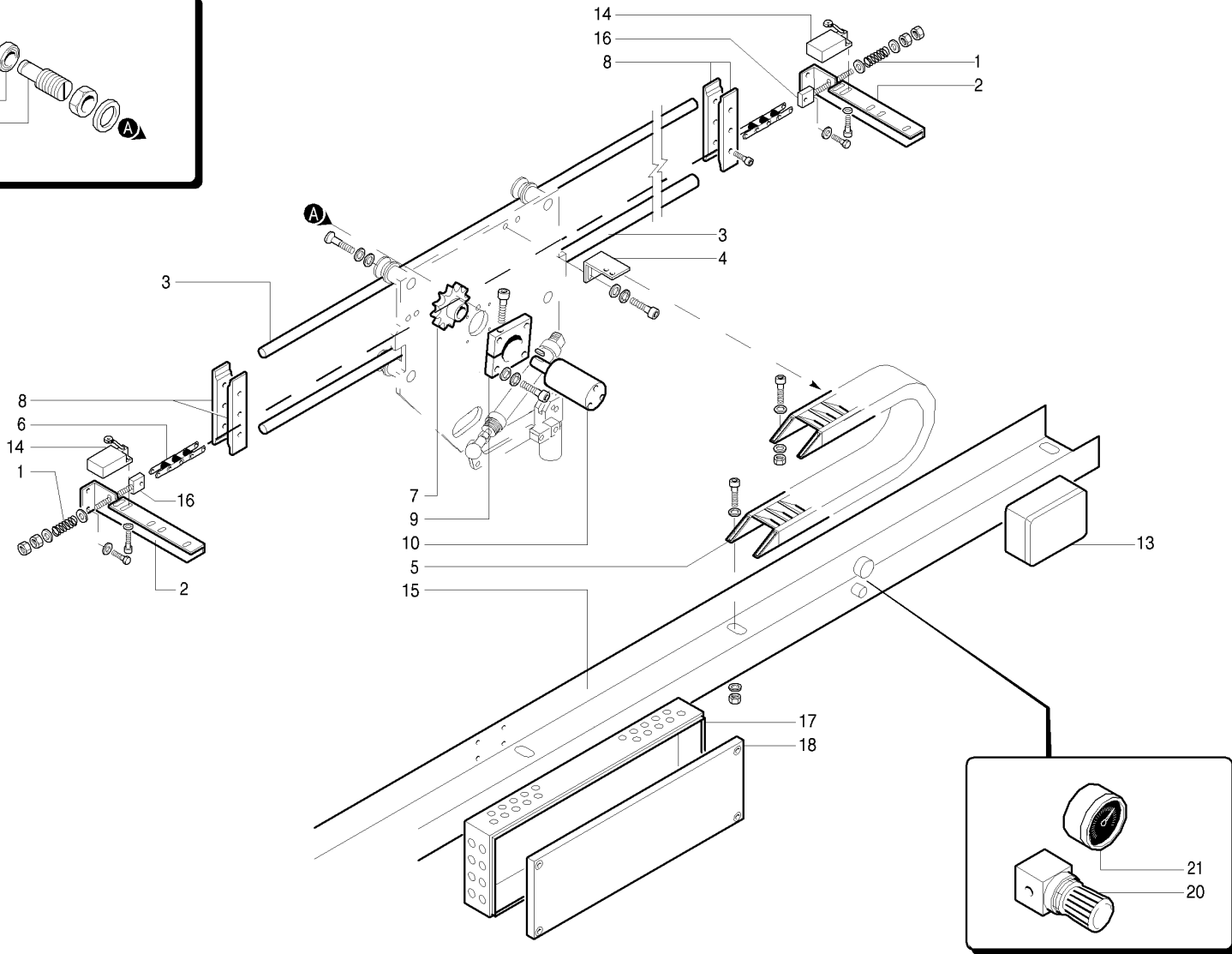
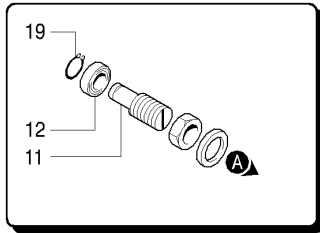
- 1 2102A0061
- 2 L9131458801
- 3 L9080507800V
- 4 2104A0058
- 5 L9204000200 - T 714C
- 5 L9204000100 - T 714A
- 6 L9090504402



1	L1208L0373V - *DIM5656
1	L1208L0031V - *DIM3231
1	L1208L0032V - *DIM4443
2	L1208L0034V - *DIM4443
2	L1208L0033V - *DIM3231
3	L1314L0026V - *DIM5656
3	L9131405110V - *DIM3231
3	L9131402804V - *DIM4443
4	L9131404800V
4	2420A0313 - EB7-K
5	L9130524500
6	L9080507202 - SX
6	L9080507102 - *DX
7	L9082901200
8	2104A0078
9	L9141106600
10	L9080508000
11	L9080507900
12	2164A0105
13	L9141106500
14	L9080506301
15	L9080706301 - L=3540
15	L0807L0073 - L=5940
15	L9080701601 - L=4740
16	L9082100400
17	L9081800900
18	302517700
19	2910A0080
20	L9080608200
21	L9140500200
22	L9080106600
23	L9081414500 - EB7-K
24	3017A0014
25	L9082013600
27	L9143200600
28	L9120802600V
29	L2015L0002
30	245016600 - f=1/8
31	245108200 - D=4 F=1/8
32	L9141901200
33	2451A0027 - d=8 F=1/8
34	L1205L0230
36	L1205L0024V - *DIM4443
36	L1205L0023V - *DIM3231
37	L1205L0027V - *DIM3231
37	L1205L0028V - *DIM4443

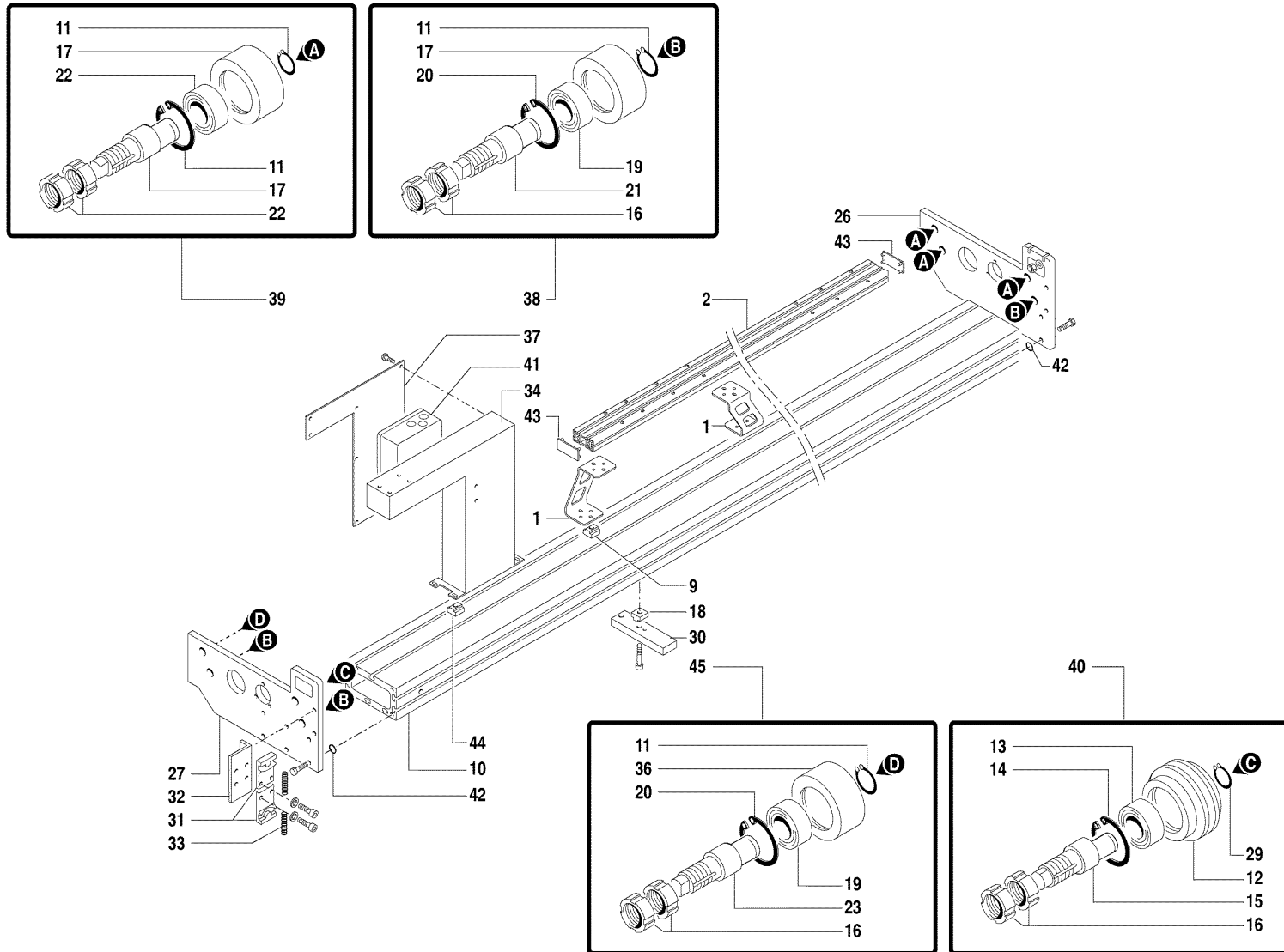


- 1 L9081419300
- 2 L0814L0144V
- 3 2018A0013
- 4 302900900
- 5 L9082007100
- 6 L0805L0038
- 7 2910A0054
- 8 L0820L0041
- 9 L0824L0004
- 10 L9082007000
- 11 290102400
- 12 L9082276701
- 13 302901400
- 14 L0820L0037
- 15 2919A0019
- 16 2420A0357
- 17 L0820L0038
- 18 L0814L0138
- 19 2910A0053
- 20 L0820L0036
- 21 L0824L0003
- 22 3017A0014
- 23 2910A0082
- 24 L0820L0040
- 25 L9082204800
- 26 290104500
- 27 2164A0094
- 28 216410000
- 29 L9082015300
- 30 L9082015200
- 31 302914900
- 32 L9080107300
- 33 3017A0027
- 34 L0805L0027
- 35 L0814L0036V
- 36 L1305L0036V
- 37 L1412L0009
- 38 2164A0105
- 39 2440A0377

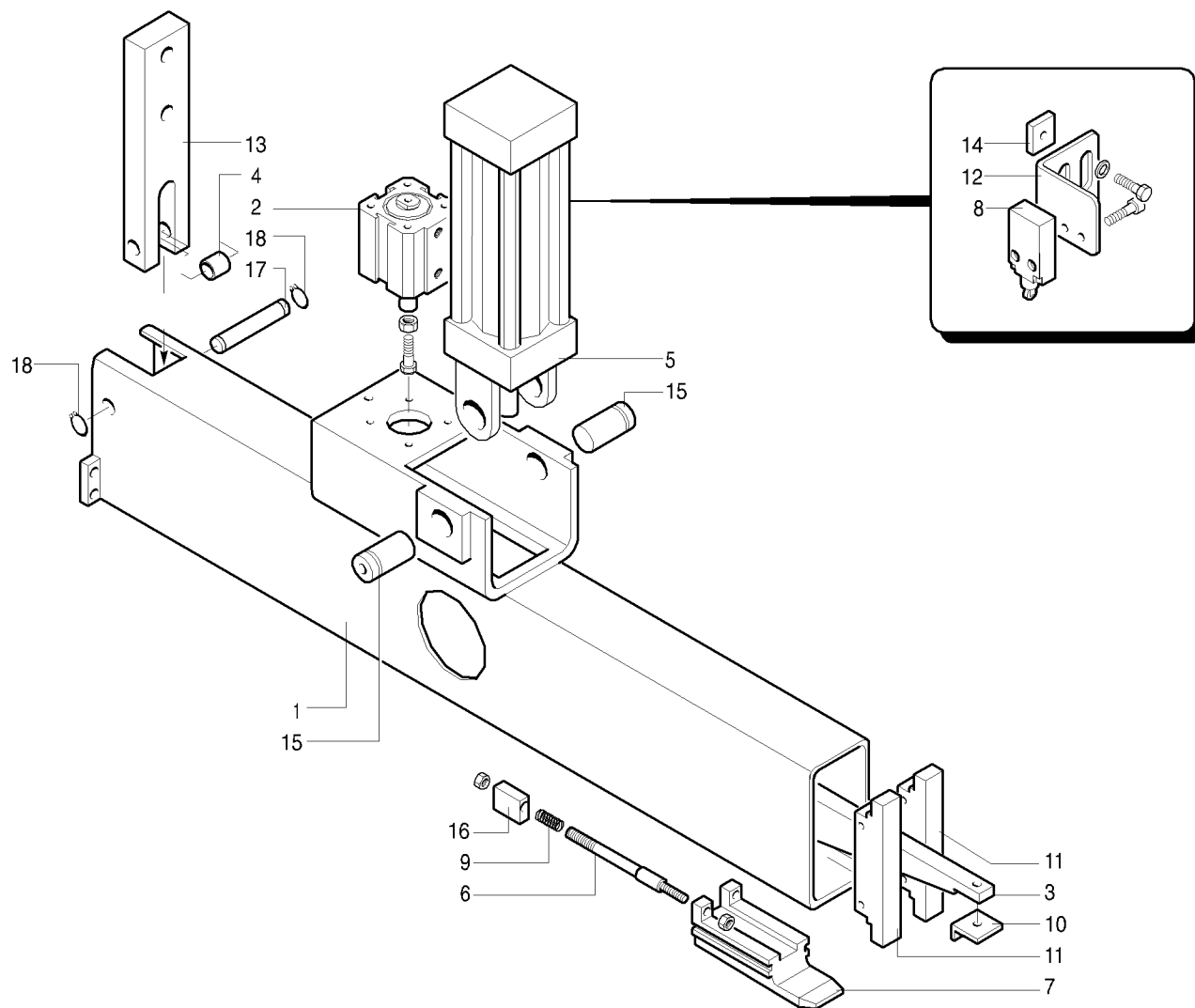


- 1 2801A0075
- 2 L9120507700
- 3 L9081104200
- 4 L1214L0113
- 5 2004A0183
- 6 2709A0078
- 7 L9272207000
- 8 L9080546800
- 9 L9090501802
- 10 2435A0007
- 11 L9082007600
- 12 290100100 - 608-2RS RIV-..
- 13 L1412L0009
- 14 2104A0078
- 15 L1208L0383V - DIM 4443
- 15 L1208L0372V - *DIM5656
- 15 L1208L0384V - DIM 3231
- 16 L9082008700
- 17 L9131200100
- 18 L9130841000
- 19 302900500 - 8 UNI 7435
- 20 L9242304900
- 21 2424A0007

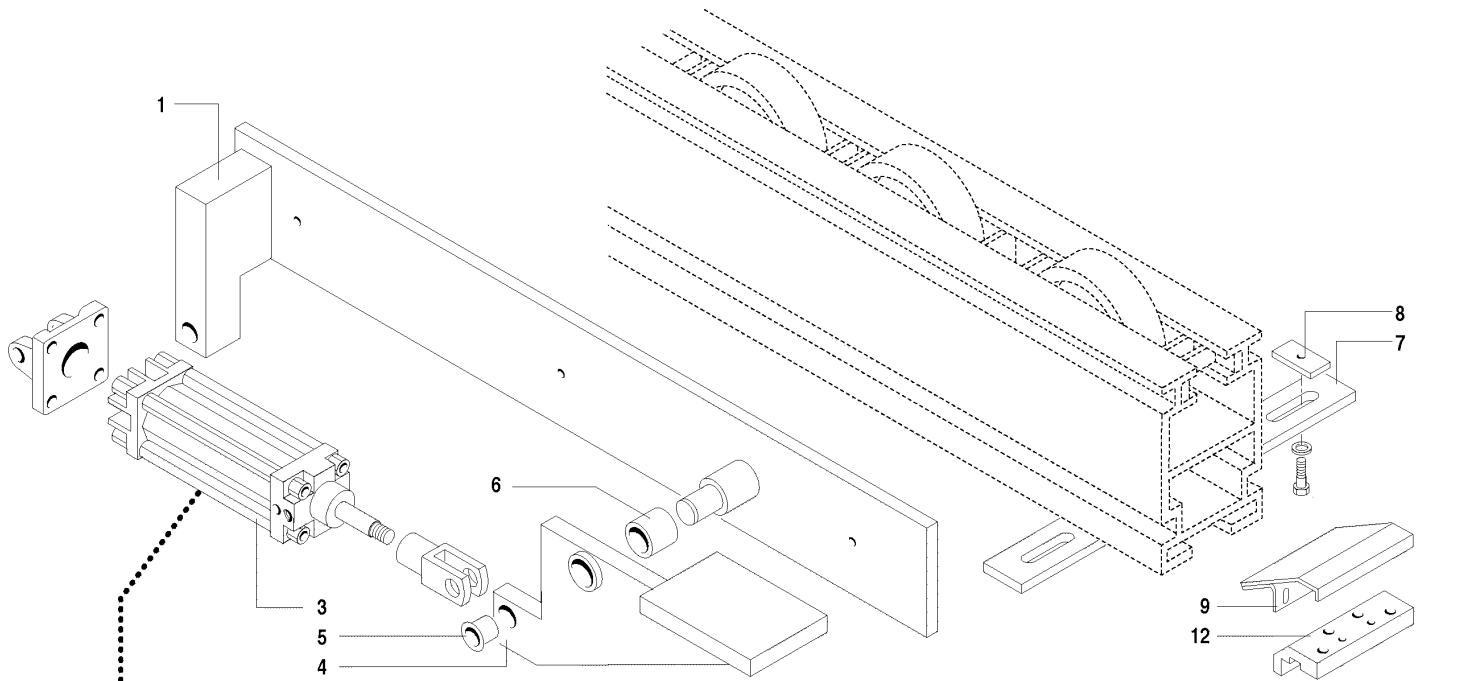
TRAVE SPINTORE - EBT-120_2 - EBT-120_RELEASE_2 24-02-2003



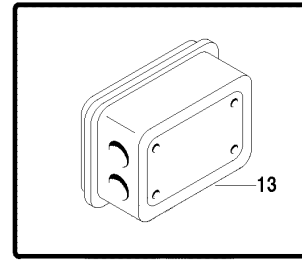
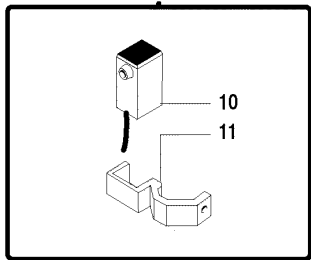
1	L0910L0024
2	L1205L0240
9	L0804L0061
10	L0910L0014 - *DIM5656
10	L0910L0008 - *DIM4443
10	L0910L0004 - *DIM3231
11	302901700 - 20 UNI 7435
12	L9082202101
13	2904A0007
14	302915900
15	L9082005601
16	3017A0014
17	L9102200300
18	L0804L0008
19	2901A0020
20	302916100
21	L9082080001
22	2901A0020
23	L9082080101
26	L0914L0022
27	L0914L0023
29	302901400
30	L0814L0215
31	L9143200500
32	L9080520110
33	L9280101100
34	L1205L0109V
36	L0822L0011
37	L1208L0238V
38	L6406L0011
39	L6406L0010
40	L6406L0012
41	L1412L0012
42	311002000 - OR 2087
43	N1401N0007
44	L0814L0254
45	L6406L0018

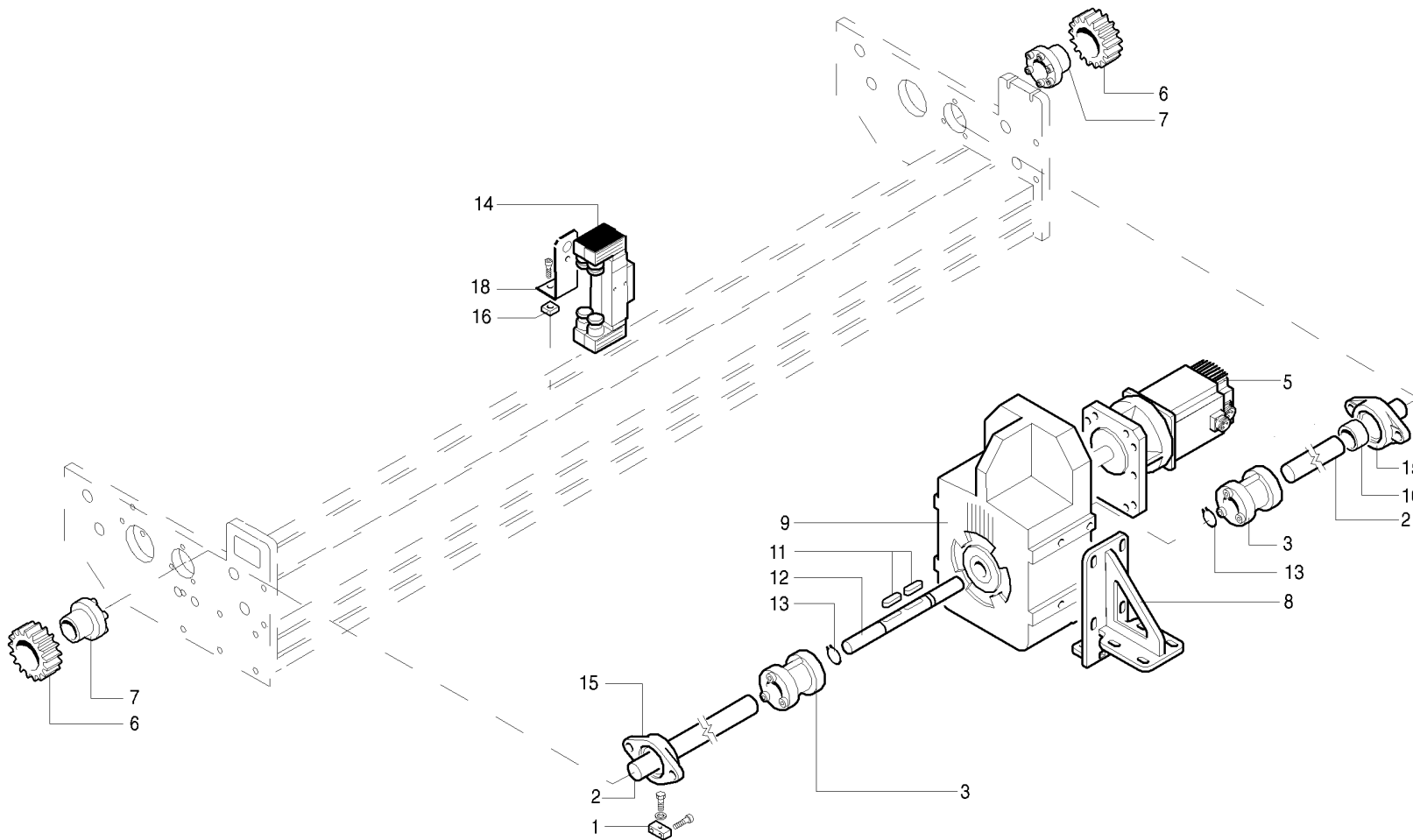


- 1 L1324L0003V
- 2 2420A0303
- 3 L0824L0005
- 4 2910A0095
- 5 L6457L0023
- 6 L9080709400
- 7 L0811L0002
- 8 2104A0069
- 9 L9280102300
- 10 L9081416402
- 11 L9091102900
- 12 L1205L0154
- 13 L0824L0016
- 14 L0814L0254
- 15 L9082016900
- 16 L9081424300
- 17 L9082004100
- 18 302900900

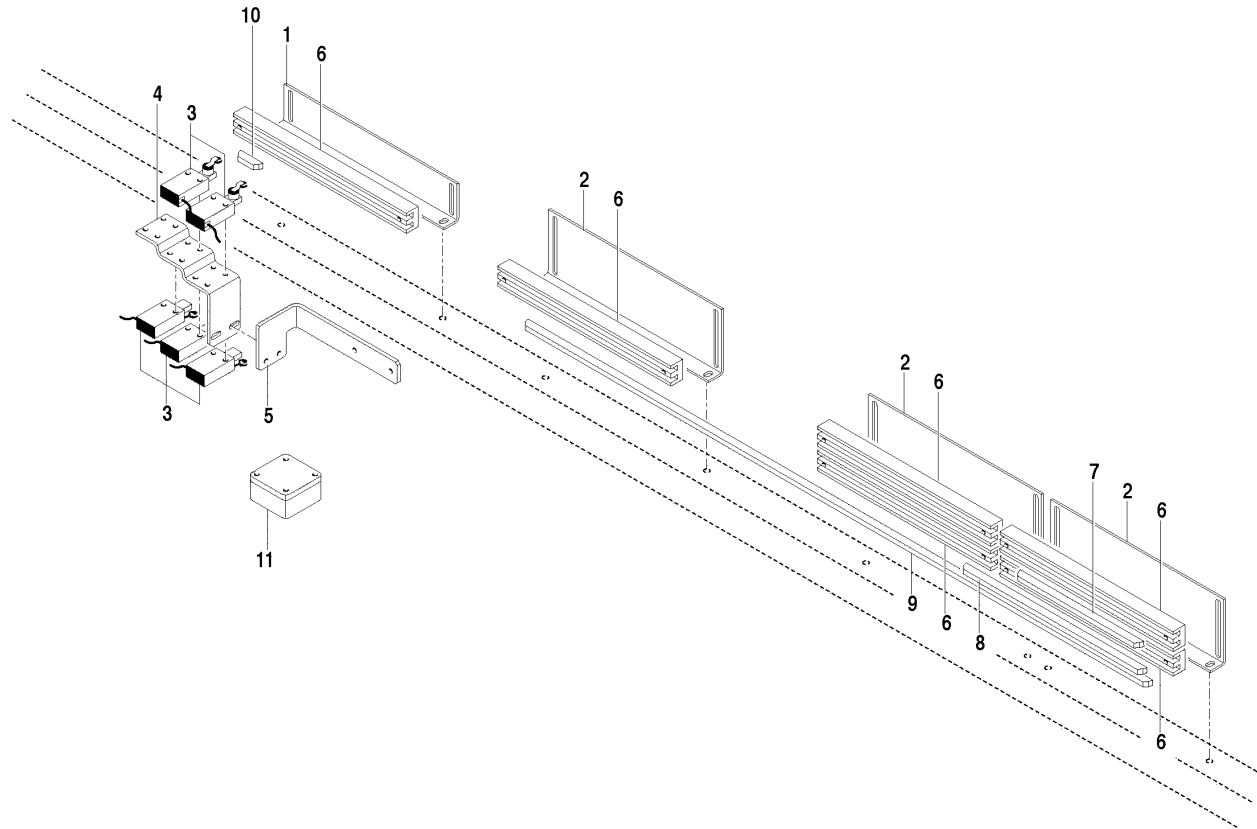


- 1 L9130550300V
- 3 2420A0306
- 4 L9131103200V
- 5 2910A0085
- 6 2910A0094
- 7 L9081418400V
- 8 L9081412800
- 9 L9130825000
- 10 2164A0094
- 11 2440A0067
- 12 L9091401800
- 13 L9141204301

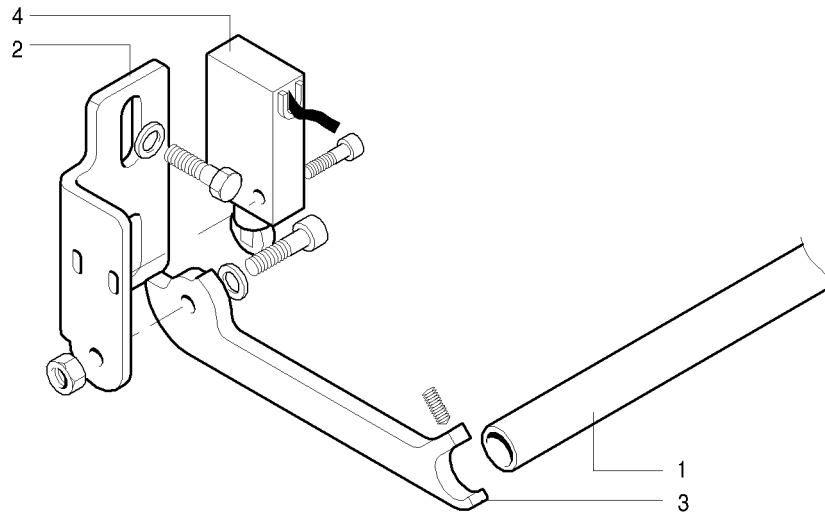




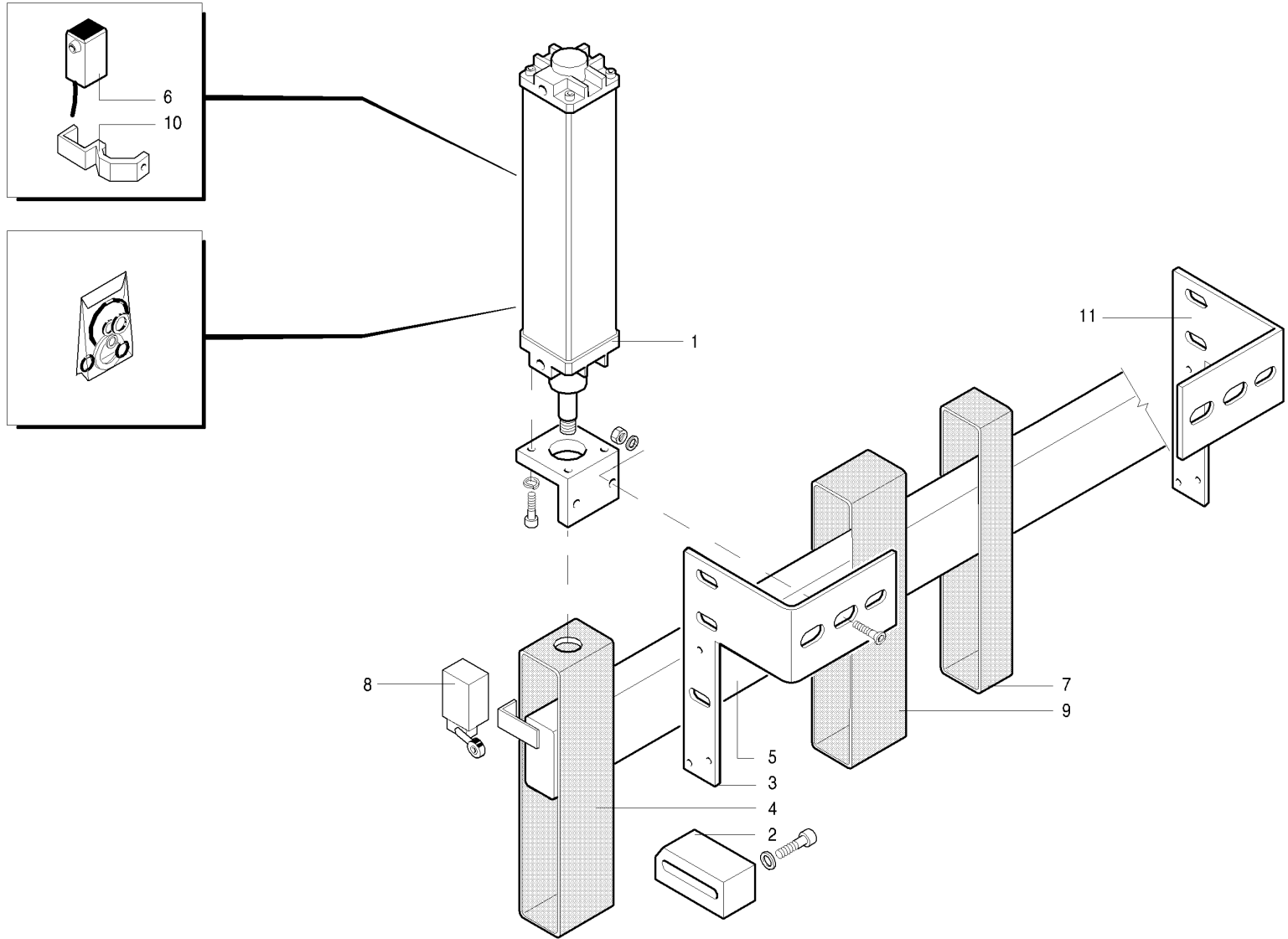
1	L9081414500 - EB7-K
2	L9080710001V - L=1581
2	L9080709900V - L=2180
2	L0807L0076V - L=2780
3	L9270701000
5	2201A0110 - 200V
6	L9082140003
7	2707A0078
8	L1305L0032
9	2001A0120
10	2910A0095
11	302521000 - 8X7X40
12	L0807L0058
13	302902700
14	L9230303400
15	2918A0018
16	L0804L0008
18	2440A0033



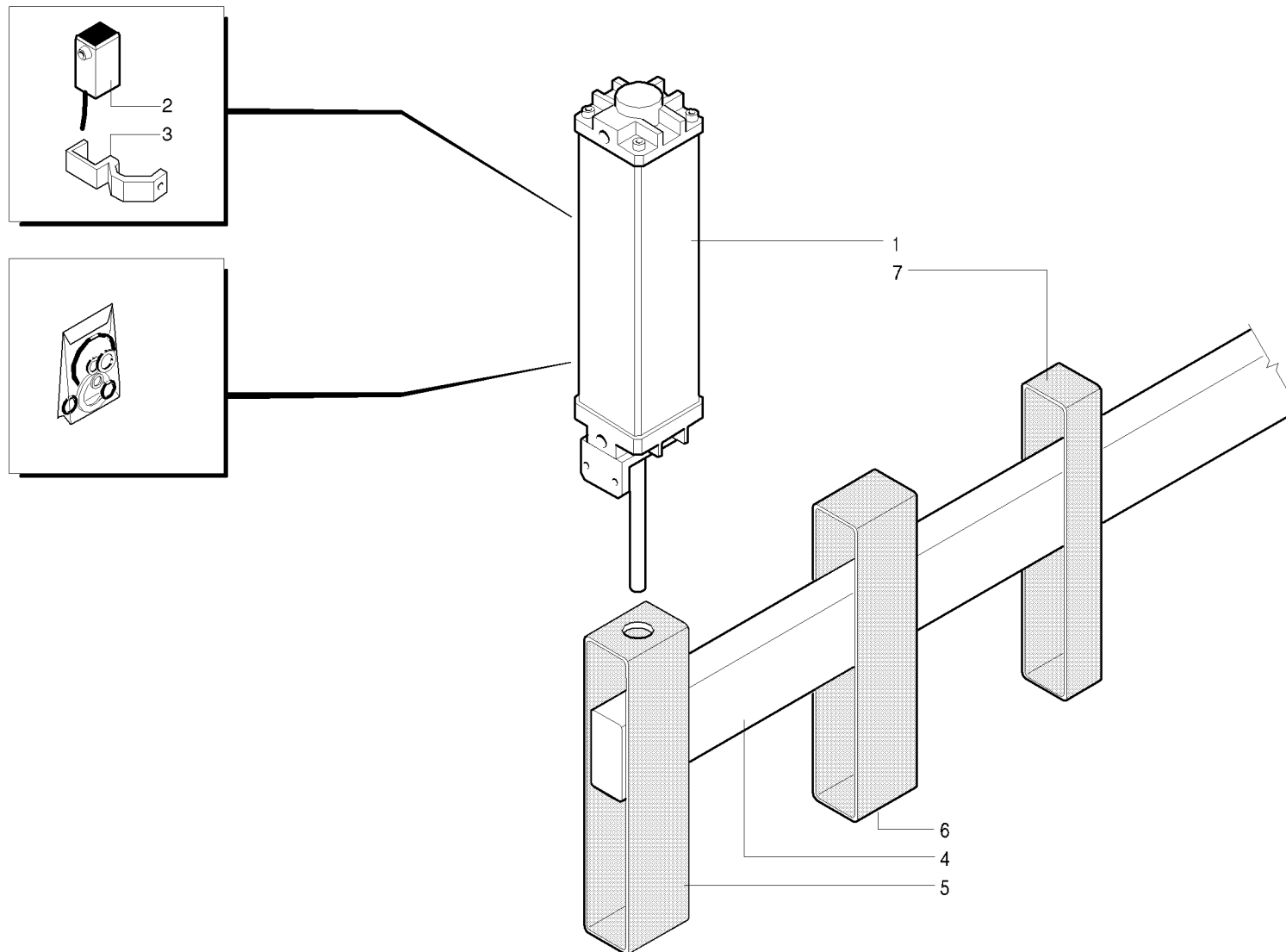
- 1 L9080519100
- 2 L9130544400
- 3 2104A0078
- 4 L1205L0079
- 5 L1214L0177
- 6 L9091103900
- 7 L1709L0006
- 8 L1709L0005
- 9 L1709L0004
- 10 161402601 - L=40mm
- 11 L9141205201



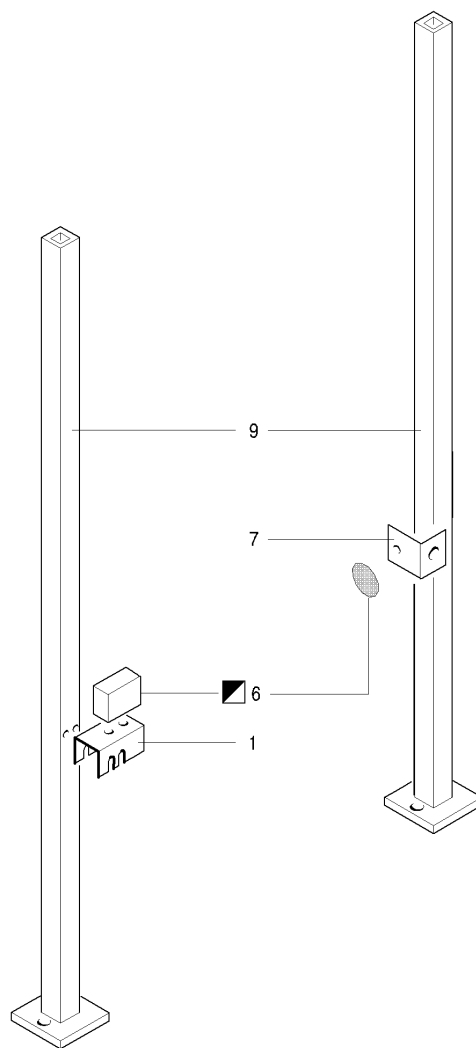
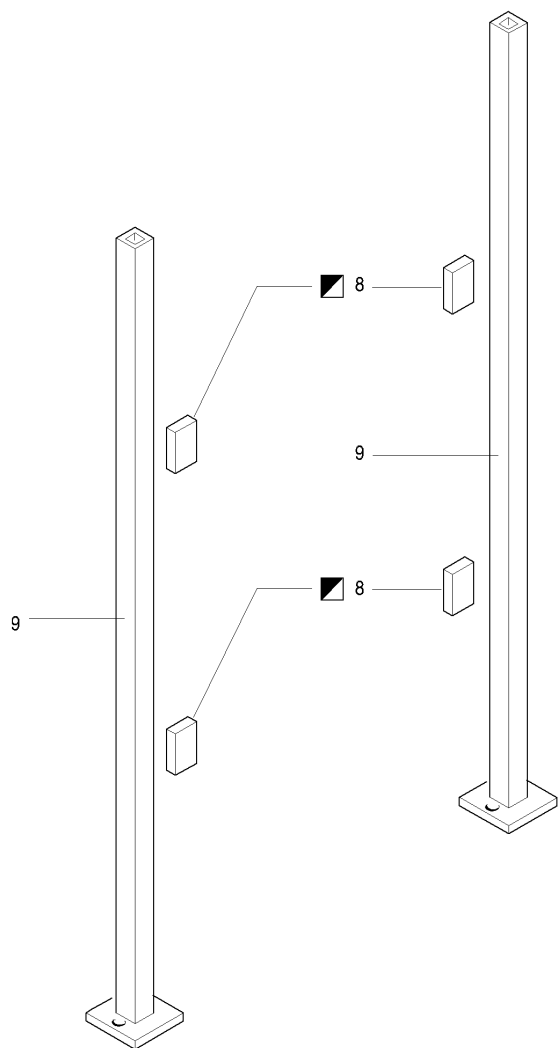
- 1 L9081441900V - L=5640
- 1 L9081441800V - L=4430
- 1 L9081401000V - L=3240
- 2 L9120506700
- 3 L9082400900
- 4 2104A0079 - L=1 m



- 1 L9242005600
- 2 L9141103200
- 3 L9120502101V
- 4 L1408L0020
- 5 L9131404902V - *DIM3231
- 5 L9131403702V - *DIM4443
- 5 L1214L0101V - *DIM5656
- 6 2164A0094
- 7 L1408L0019
- 8 2104A0078
- 9 L1408L0018
- 10 2440A0029
- 11 L9120502001V

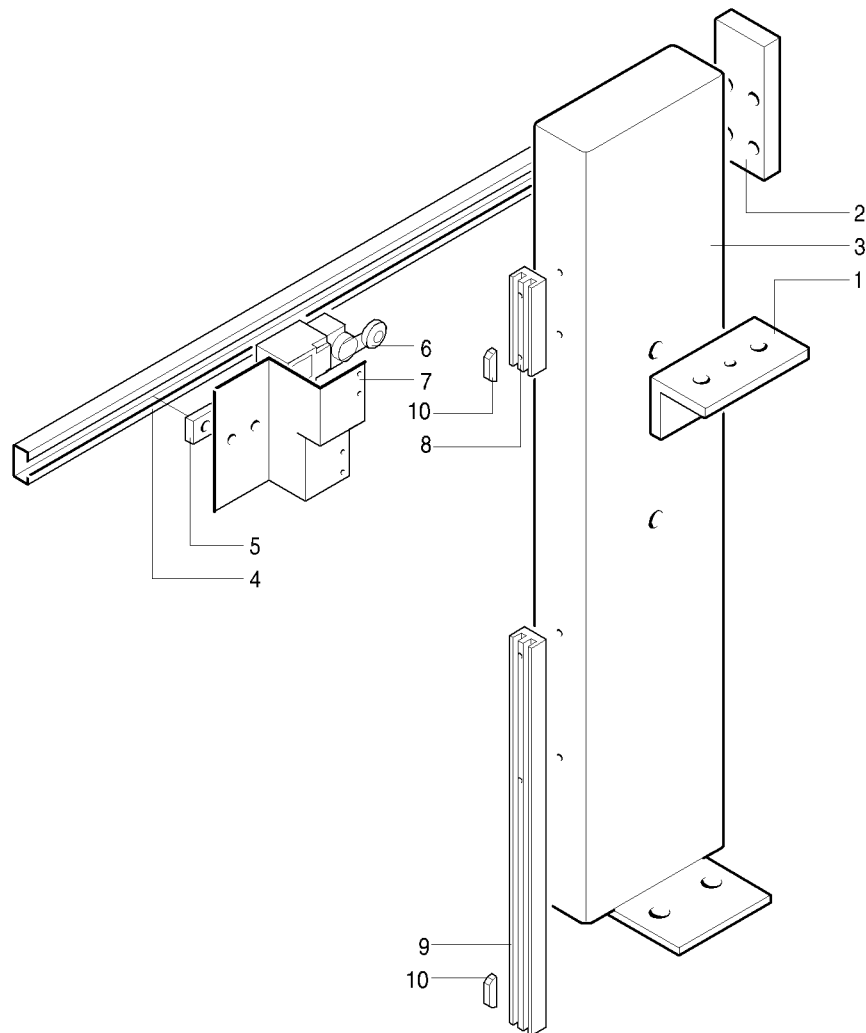


- 1 L9242009600
- 2 2164A0094
- 3 2440A0029
- 4 L9131403600V
- 4 L1408L0020
- 5 L1408L0020
- 6 L1408L0018
- 7 L1408L0019

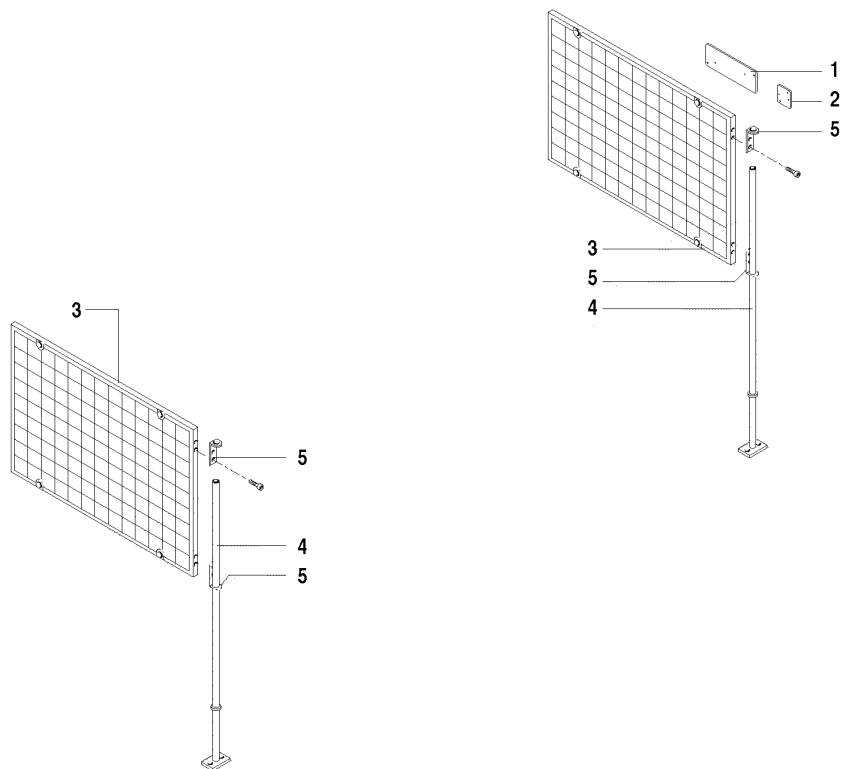


- 1 L1214L0159
- 6 2164A0107 - STD
- 7 L1205L0080
- 8 2164A0137 - CE
- 9 L9130519304V

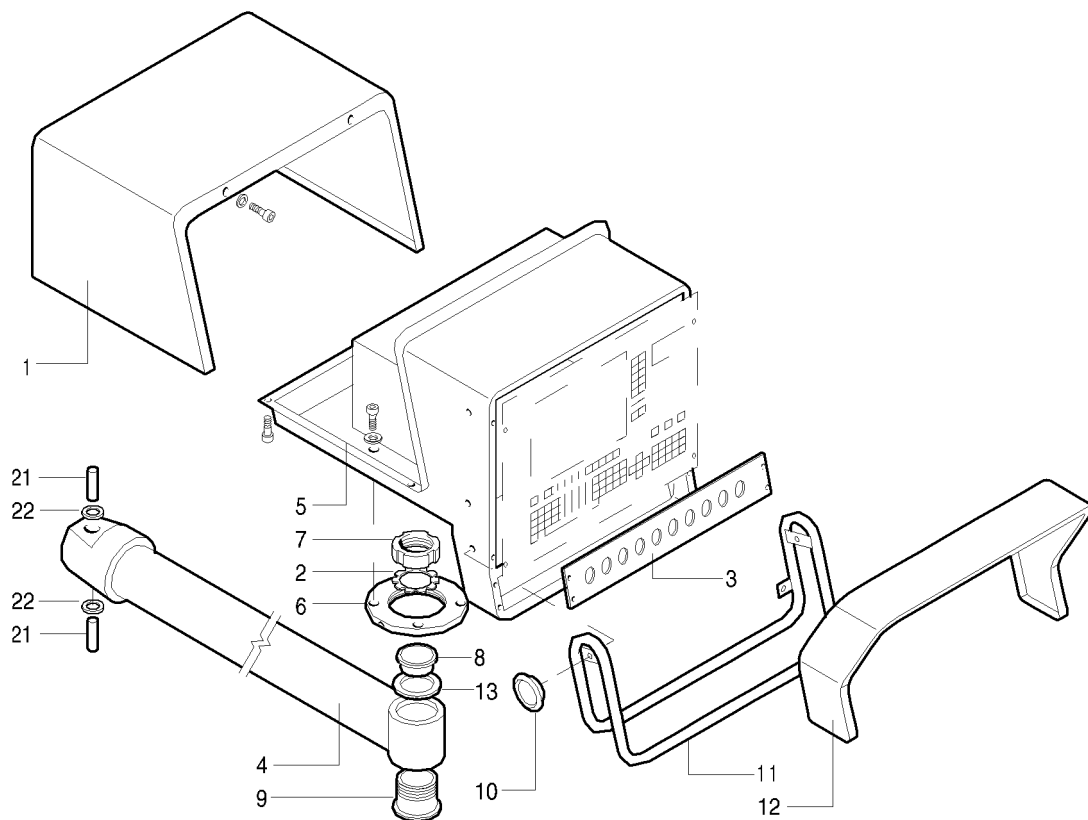
TRAVE DI ARRESTO - EBT-120_2 - EBT-120_RELEASE_2 24-02-2003



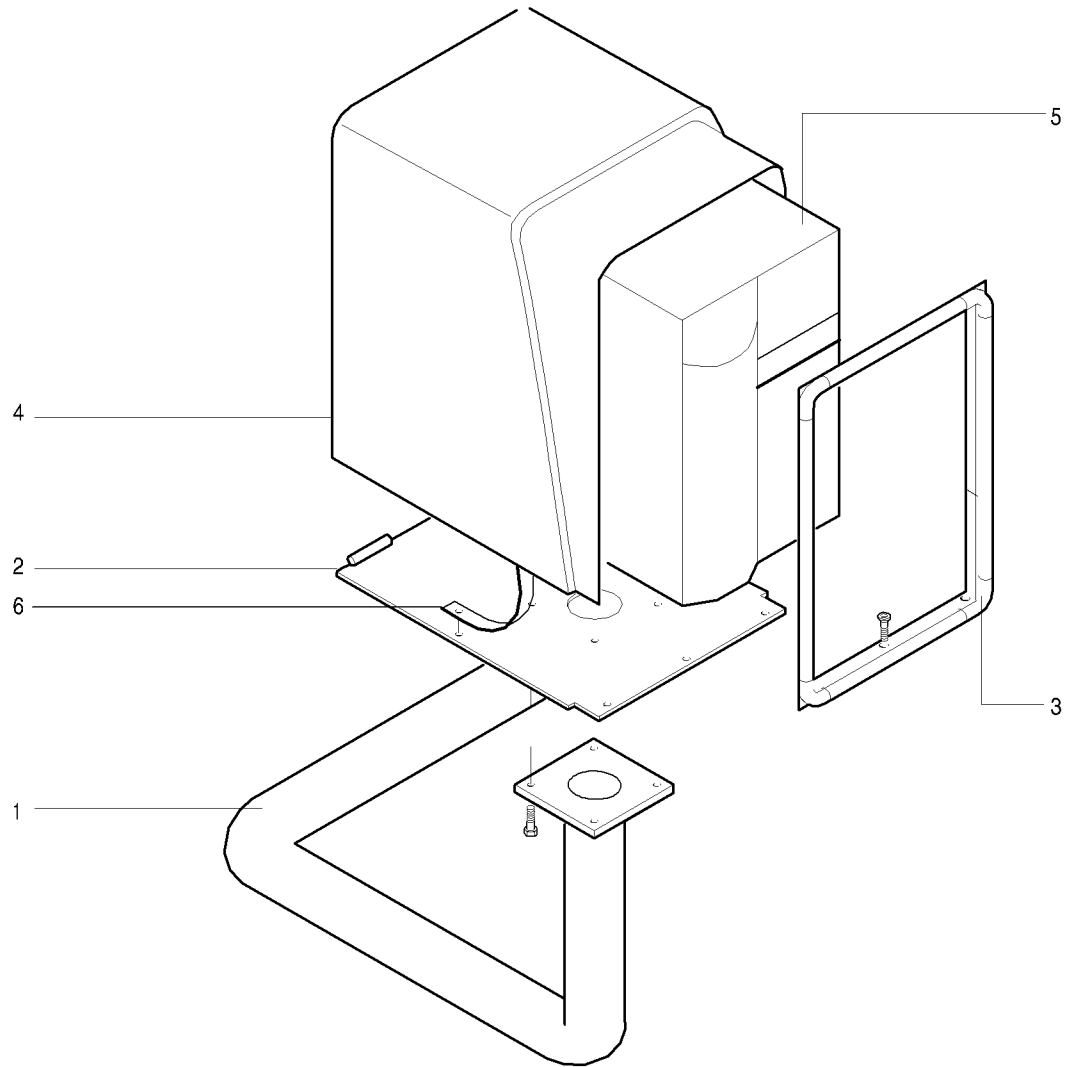
- 1 L9080598100
- 2 L9085449400
- 3 L9131010700V
- 4 L9080521300
- 5 L9081412800
- 6 2104A0078
- 7 L1205L0219V
- 8 L9091102600
- 9 L0911L0009
- 10 161402601 - L=40mm



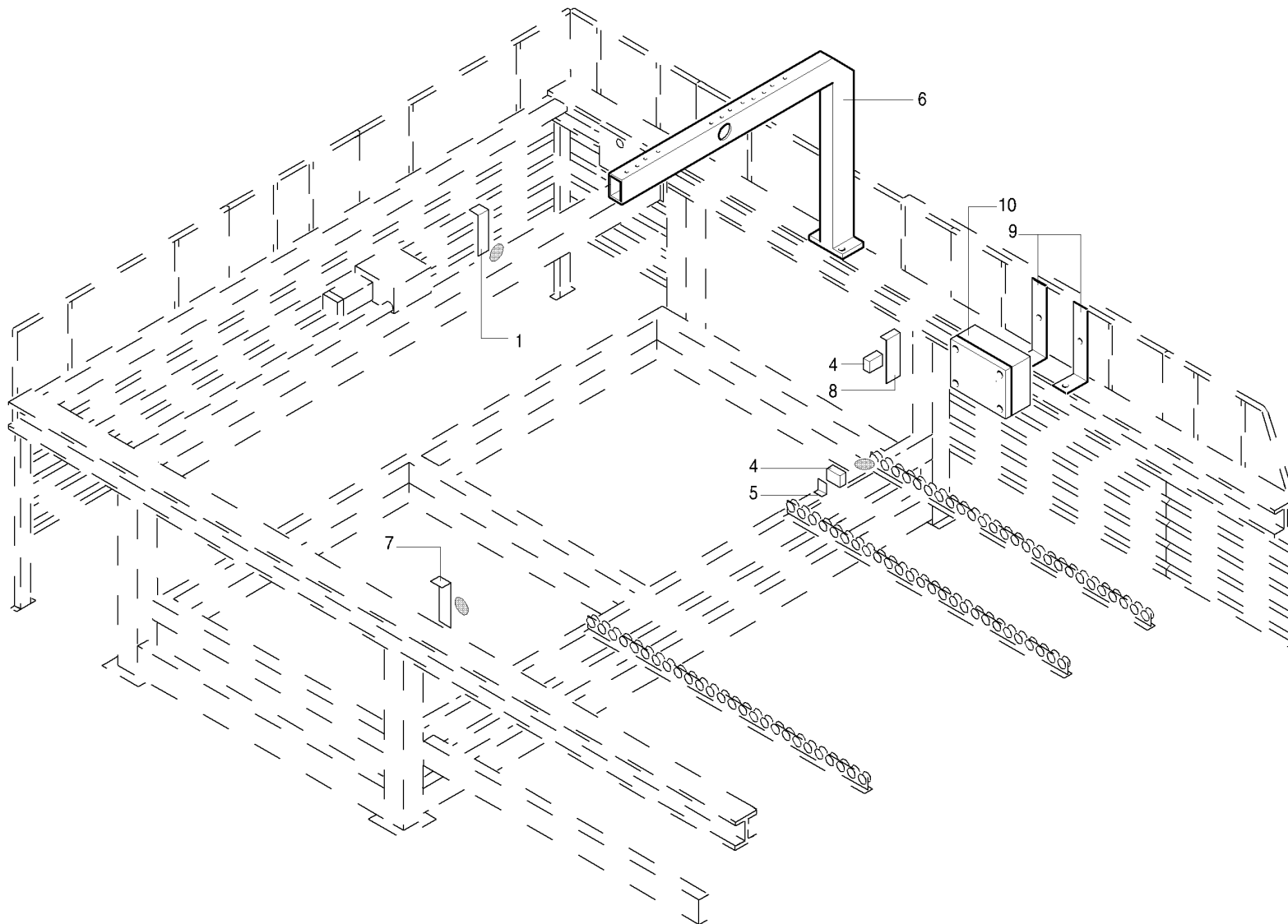
- 1 L9080508301
- 2 L9080508401
- 3 L9130819701V
- 4 L9130516200V
- 5 L9130517101V



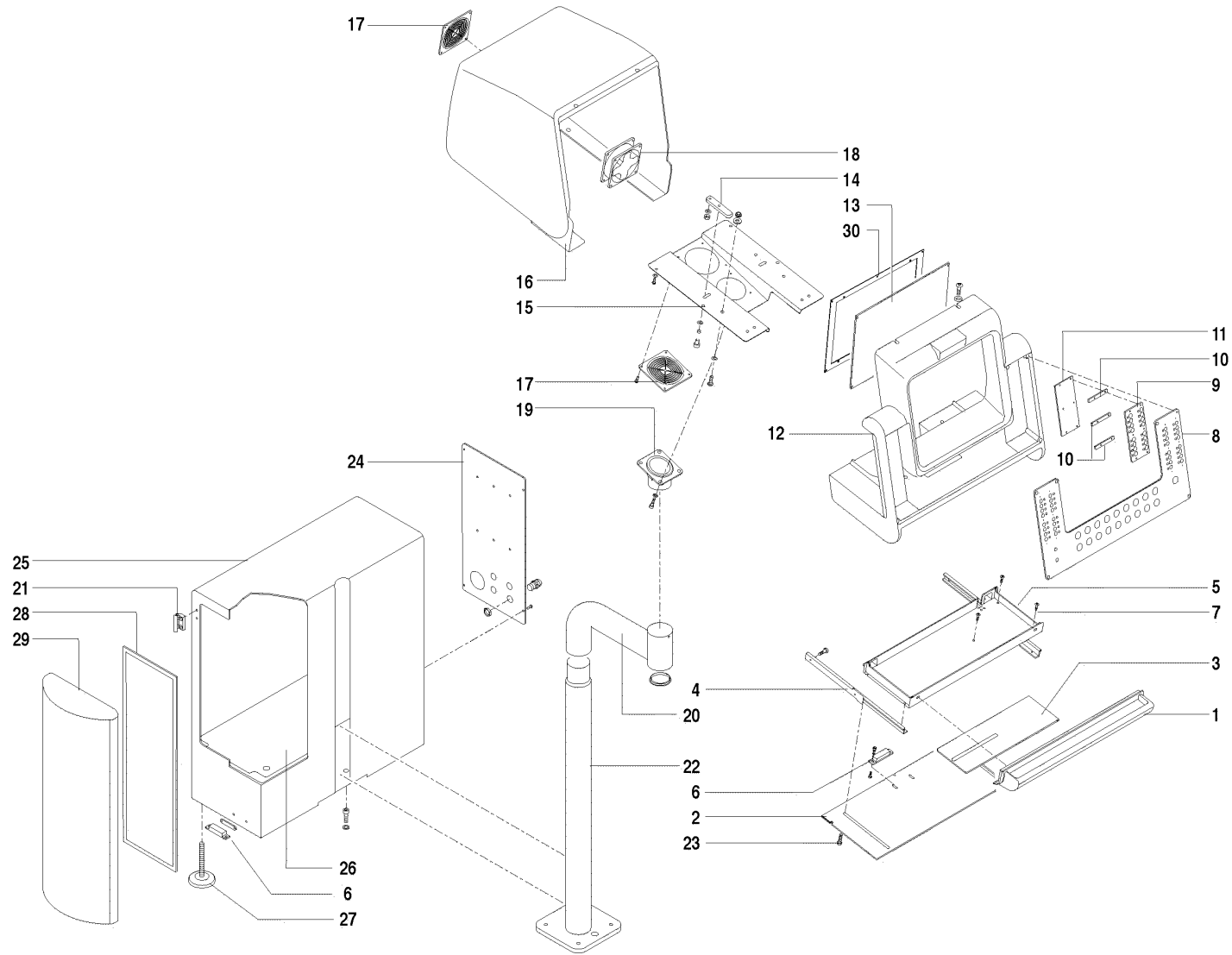
- 1 L9130861500V
- 2 3019A0078
- 3 L9142314000
- 4 L9130552901V
- 5 L9131440203V
- 6 L9085457500
- 7 3017A0019
- 8 L9101700600
- 9 L9082048103
- 10 L9101700900
- 11 L9131403411V
- 12 L9140800901V
- 13 L9101701300
- 21 L9082012400
- 22 L9080601200



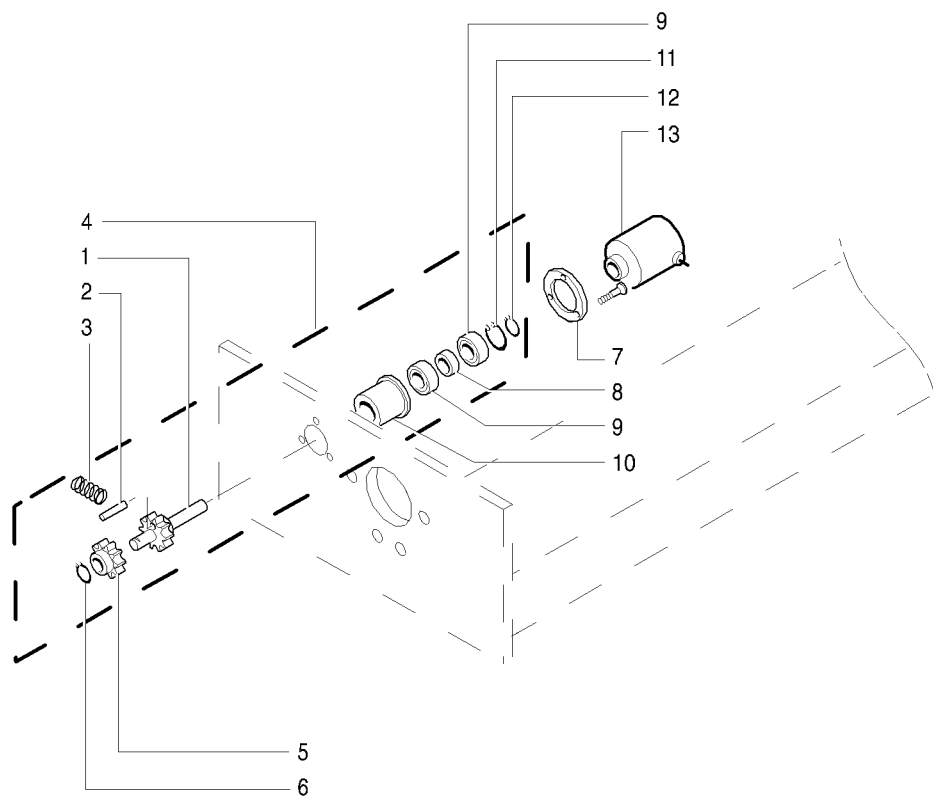
- 1 L9131440011V
- 2 L1208L0300V
- 3 L1230L0001V
- 4 L1208L0301V
- 5 L2176L0009 - NO PEELER
- 5 L2176L0008 - PEELER
- 6 L9270500100



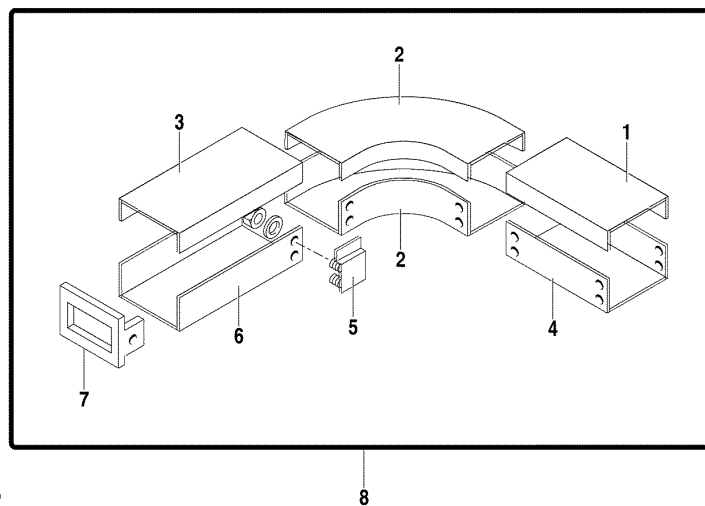
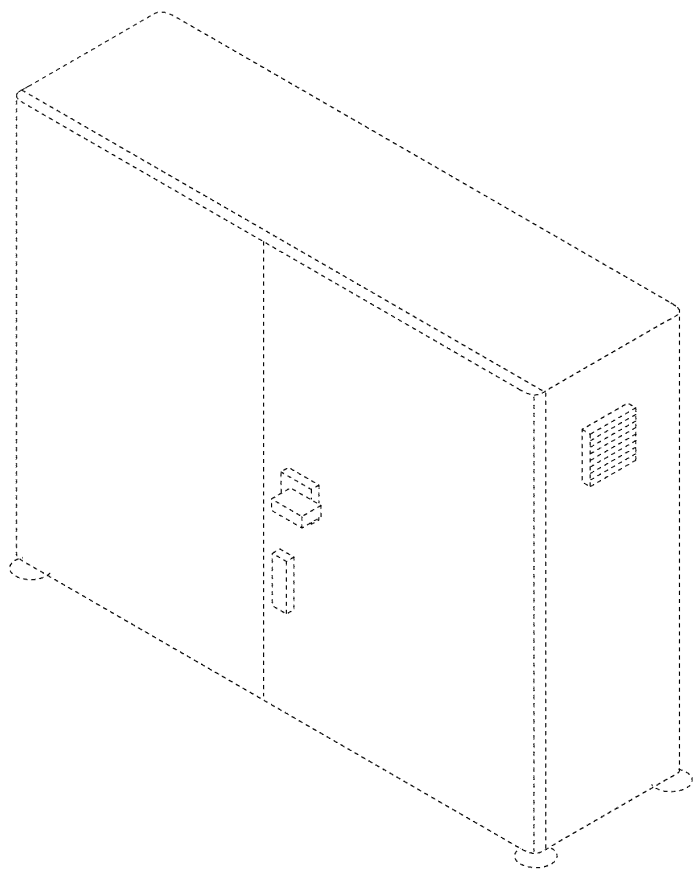
- 1 L9080599700V
- 4 2164A0107 - STD
- 5 L9080599800V
- 6 L1305L0146V
- 7 L9080599500V
- 8 L9080599600V
- 9 L9081489500V
- 10 L9141204301



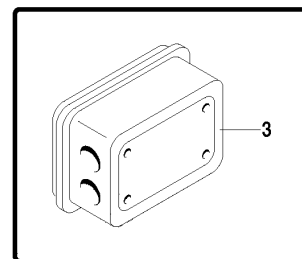
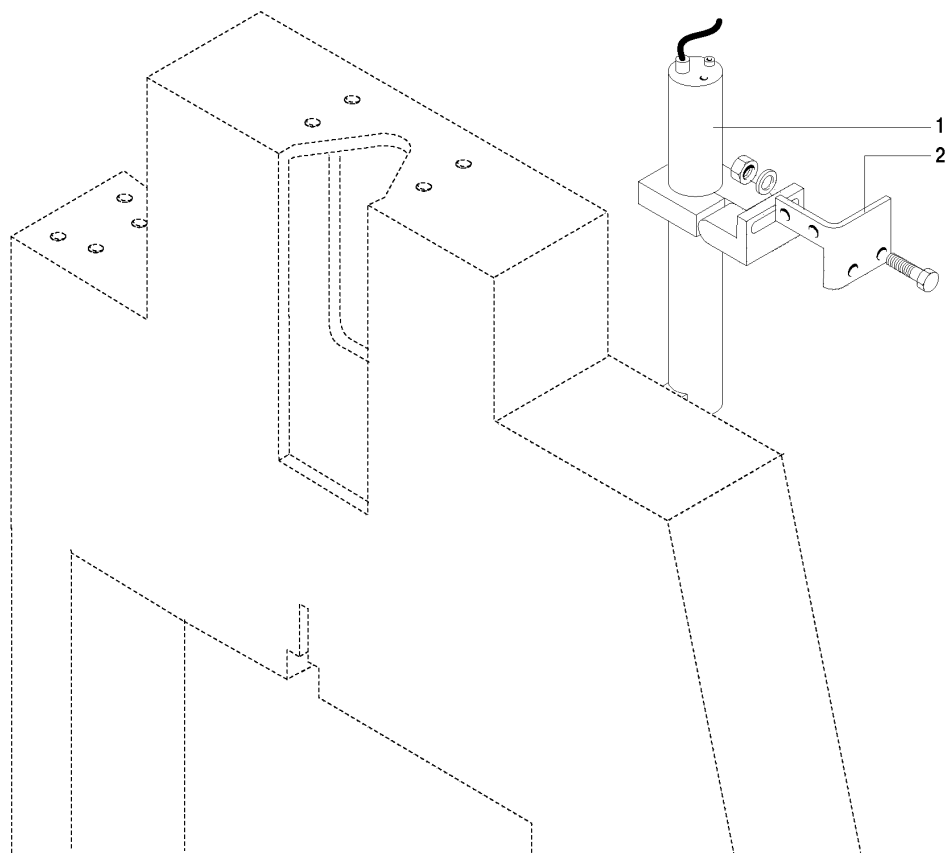
1	L1430L0001
2	L1208L0243V
3	L1208L0106
4	2025A0010
5	L1212L0005V
6	2010A0009 - EB7-1
7	L1422L0001
8	L0908L0008
9	L1408L0003
10	L1406L0002
11	L90112D865A
12	L1408L0012
13	L1408L0035 - 367X260
14	L0814L0100
15	L1205L0066
16	L1408L0013
17	2161A0018
18	2161A0031
19	L1305L0105V
20	L1305L0104V
21	2012A0021
22	L1305L0097V
23	L1404L0002
24	L1208L0108
25	L1212L0006V
26	L1208L0246
27	2025A0012
28	L3123L0001
29	L1208L0109V
30	L1208L0480V - 400X283



1	L9082005802
2	3023A0036
3	L9280100700
4	L6405L0011
5	L9082161401
6	302900900
7	L0801L0021
8	L9080607200
9	290103800
10	L0805L0046
11	302915400
12	302901200
13	2211A0020



- 1 L913083302
- 2 L9130824400
- 3 L9130833404
- 4 L9130833701
- 5 L9214203000
- 6 L9130833601
- 7 L9214203100
- 8 L1708L0002



- 1 L9216700200
- 2 L9080599300
- 3 L9141205101